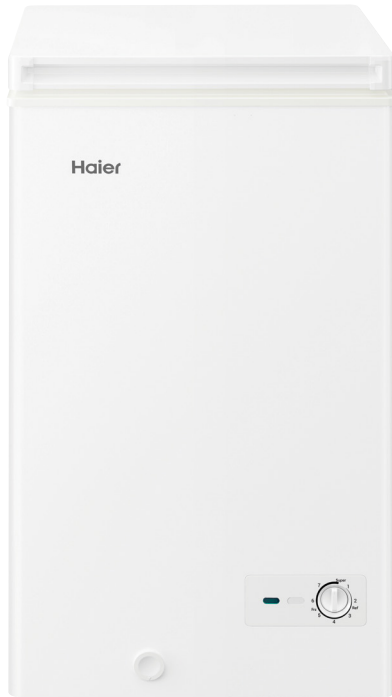


Haier

HCF97W - White

97L 300 Series Chest Freezer



HCF97W

Height

845mm

Width

545mm

Depth

500mm

Weight
(Packaged)

28kg

Weight
(Product)

24.5kg

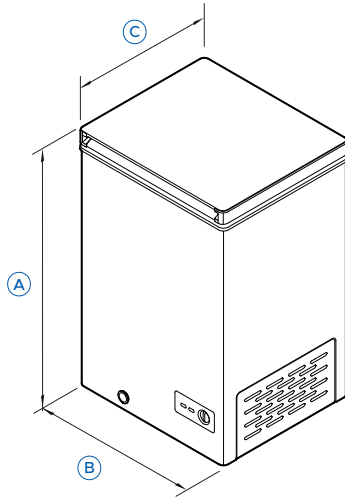
FEATURES

- 97L capacity ideal for compact spaces or secondary storage
- 3.5-star energy rating
- Hybrid system allows use as a fridge or freezer
- Manual temperature control for simple, reliable adjustment
- Premium protective lining retains cold air efficiently
- Antibacterial liner helps maintain a cleaner interior
- Drainage outlet for easy defrosting and cleaning
- Recessed handle for a streamlined, space-saving design
- Uses an eco-friendly refrigerant with lower environmental impact

The models shown in this Specification Guide (SG) may not be available in all markets and are subject to change at any time. Product specifications may vary from those shown. This SG should not be used as installation guidance for any product. Further information is required to safely and correctly install the products featured here. Specific installation guidance will be available with the product on delivery and on our website haier.com

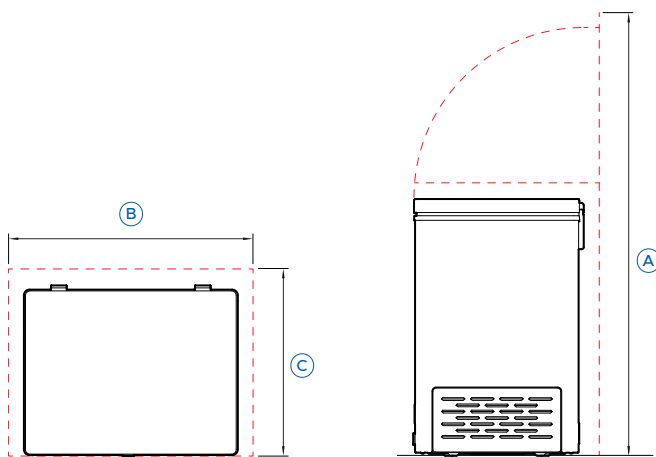
Product Overview

PRODUCT DIMENSIONS



	mm
A Overall height	845
Overall height with lid open	1280
B Overall width	545
C Overall depth (including hinges)	500

CLEARANCE DIMENSIONS



TOP VIEW

SIDE VIEW

	mm
A Height clearance with lid open	1330
Height clearance with lid closed	895
B Width clearance	645
C Depth clearance from front of product (including hinges)	550

SERVICES

- Supply 220-240 V, 50 Hz
- Service 10 A
- Connection Plug with flex cord

Haier

HCF140W - White

137L 300 Series Chest Freezer



Height

845mm

Width

695mm

Depth

555mm

Weight
(Packaged)

33kg

Weight
(Product)

29.5kg

HCF140W

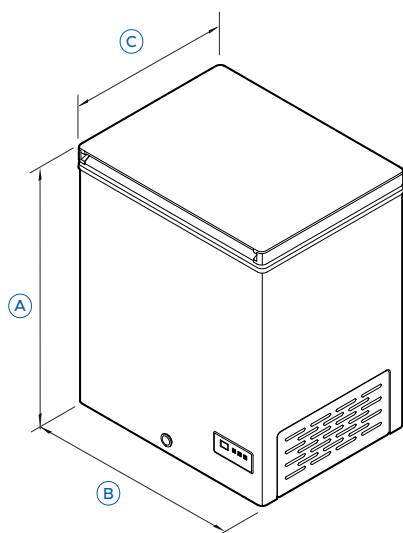
FEATURES

- 137L capacity suited to everyday use
- 6-star energy rating
- Hybrid system allows use as a fridge or freezer
- Electronic temperature control for precise adjustments
- Premium protective lining retains cold air efficiently
- Drainage outlet for easy defrosting and cleaning
- Recessed handle for a streamlined, space-saving design
- Uses an eco-friendly refrigerant with lower environmental impact

The models shown in this Specification Guide (SG) may not be available in all markets and are subject to change at any time. Product specifications may vary from those shown. This SG should not be used as installation guidance for any product. Further information is required to safely and correctly install the products featured here. Specific installation guidance will be available with the product on delivery and on our website haier.com

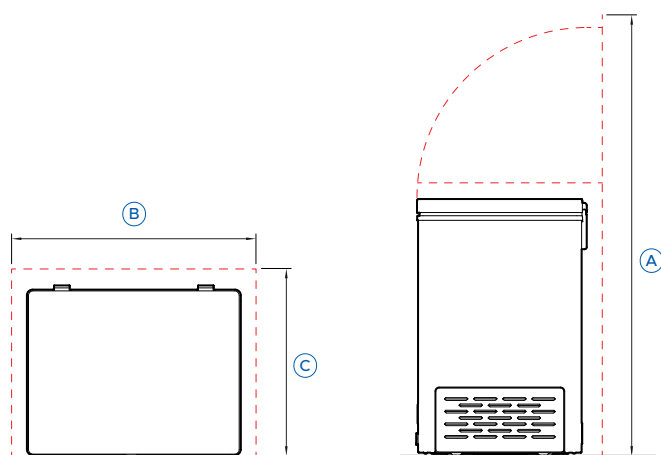
Product Overview

PRODUCT DIMENSIONS



		mm
A	Overall height	845
	Overall height with lid open	1340
B	Overall width	695
C	Overall depth (including hinges)	555

CLEARANCE DIMENSIONS



TOP VIEW

SIDE VIEW

		mm
A	Height clearance with lid open	1390
	Height clearance with lid closed	895
B	Width clearance	795
C	Depth clearance from front of product (including hinges)	605

SERVICES

- Supply 220-240 V, 50 Hz
- Service 10 A
- Connection Plug with flex cord

Haier

HCF195W - White

194L 300 Series Chest Freezer



Height

845mm

Width

915mm

Depth

555mm

Weight
(Packaged)

38.5kg

Weight
(Product)

34.5kg

HCF195W

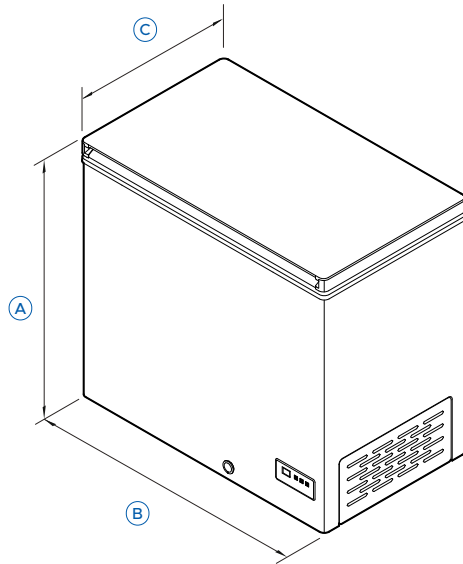
FEATURES

- 194L storage capacity for medium-to-large households
- 6-star energy rating
- Hybrid system allows use as a fridge or freezer
- Electronic temperature control for precise adjustments
- Premium protective lining retains cold air efficiently
- Drainage outlet for easy defrosting and cleaning
- Recessed handle for a streamlined, space-saving design
- Uses an eco-friendly refrigerant with lower environmental impact

The models shown in this Specification Guide (SG) may not be available in all markets and are subject to change at any time. Product specifications may vary from those shown. This SG should not be used as installation guidance for any product. Further information is required to safely and correctly install the products featured here. Specific installation guidance will be available with the product on delivery and on our website haier.com

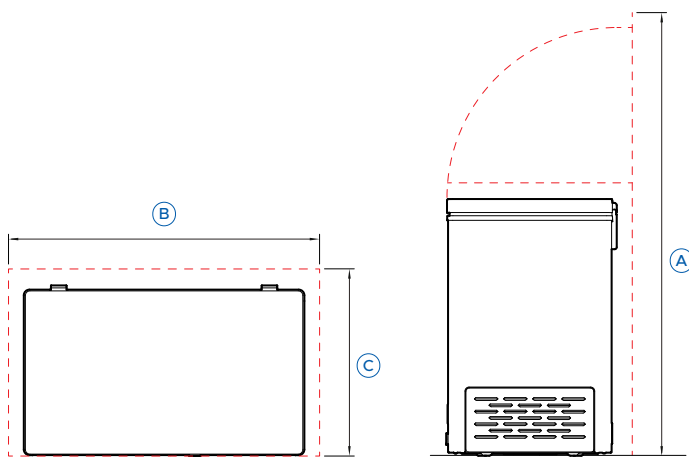
Product Overview

PRODUCT DIMENSIONS



	mm
A Overall height	845
Overall height with lid open	1340
B Overall width	915
C Overall depth (including hinges)	555

CLEARANCE DIMENSIONS



TOP VIEW

SIDE VIEW

	mm
A Height clearance with lid open	1390
Height clearance with lid closed	895
B Width clearance	1015
C Depth clearance from front of product (including hinges)	605

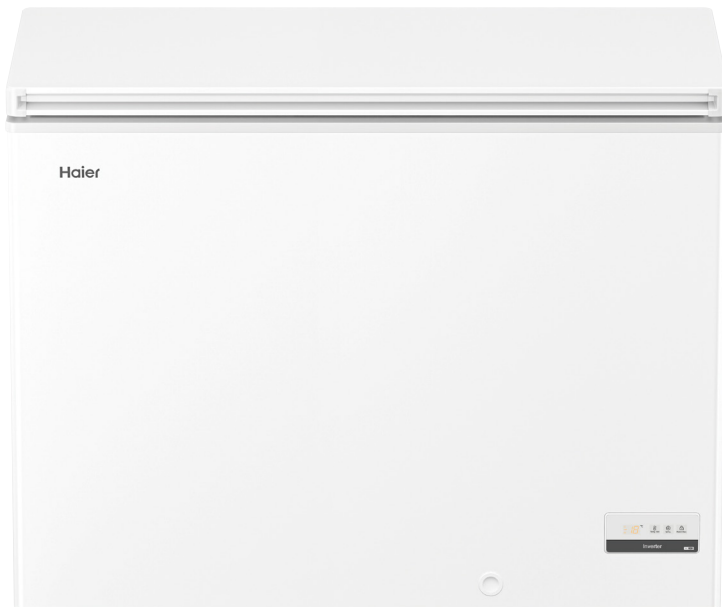
SERVICES

- Supply 220-240 V, 50 Hz
- Service 10 A
- Connection Plug with flex cord

Haier

HCF300W - White

301L 300 Series Chest Freezer



Height

845mm

Width

1110mm

Depth

620mm

Weight
(Packaged)

47kg

Weight
(Product)

42kg

HCF300W

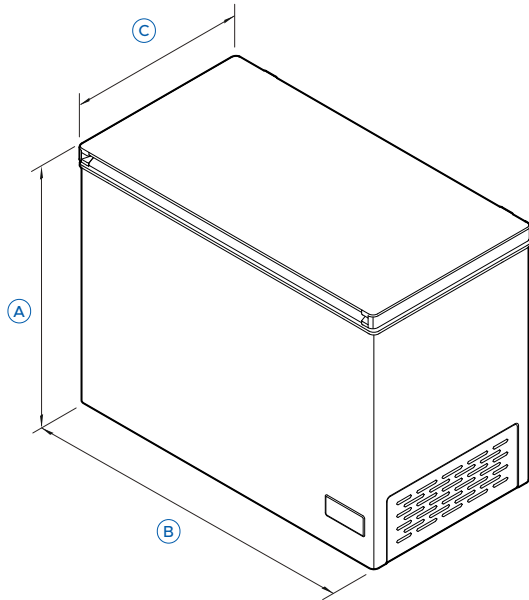
FEATURES

- Large 301L capacity for bulk or long-term storage
- 5.5-star energy rating
- Hybrid system allows use as a fridge or freezer
- Electronic temperature control for precise adjustments
- Premium protective lining retains cold air efficiently
- Drainage outlet for easy defrosting and cleaning
- Recessed handle for a streamlined, space-saving design
- Uses an eco-friendly refrigerant with lower environmental impact

The models shown in this Specification Guide (SG) may not be available in all markets and are subject to change at any time. Product specifications may vary from those shown. This SG should not be used as installation guidance for any product. Further information is required to safely and correctly install the products featured here. Specific installation guidance will be available with the product on delivery and on our website haier.com

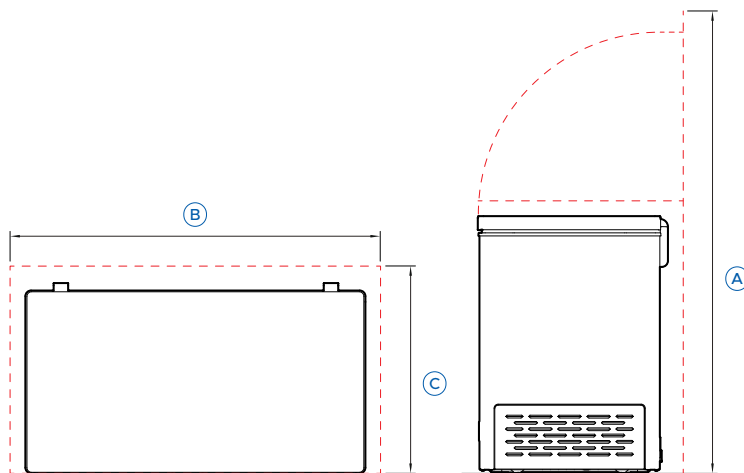
Product Overview

PRODUCT DIMENSIONS



	mm
A Overall height	845
Overall height with lid open	1420
B Overall width	1110
C Overall depth (including hinges)	620

CLEARANCE DIMENSIONS



TOP VIEW

SIDE VIEW

	mm
A Height clearance with lid open	1470
Height clearance with lid closed	895
B Width clearance	1210
C Depth clearance from front of product (including hinges)	670

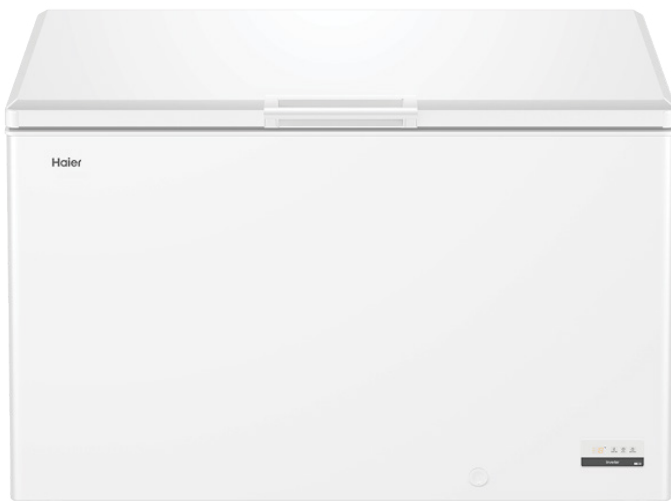
SERVICES

- Supply 220-240 V, 50 Hz
- Service 10 A
- Connection Plug with flex cord

Haier

HCF420W - White

418L 300 Series Chest Freezer



Height

845mm

Width

1320mm

Depth

750mm

Weight
(Packaged)

64kg

Weight (Product)

58kg

HCF420W

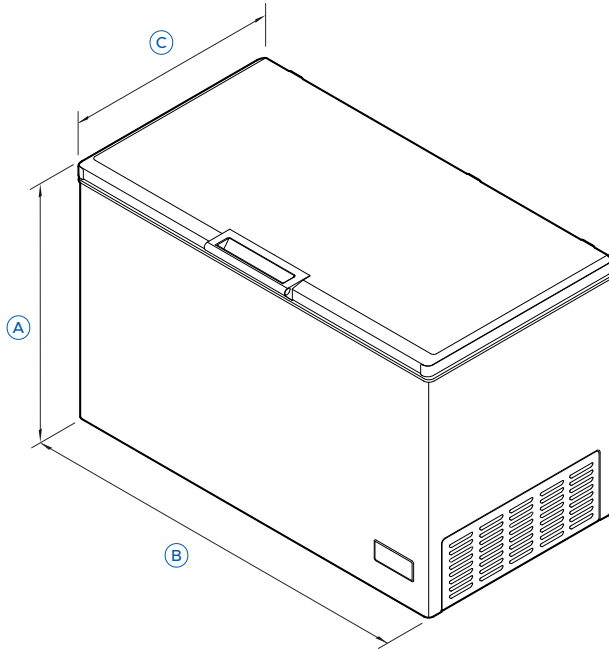
FEATURES

- Spacious 418L capacity for flexible bulk storage
- Hybrid design switches between fridge and freezer modes
- Temperature range -30°C to 10°C for versatile use
- SuperFreeze™ function rapidly locks in freshness
- Removable antibacterial lid seal for easy cleaning
- Two storage baskets for organised access
- LED lighting for internal visibility
- Drainage outlet allows easier cleaning
- 5.5-star energy rating

The models shown in this Specification Guide (SG) may not be available in all markets and are subject to change at any time. Product specifications may vary from those shown. This SG should not be used as installation guidance for any product. Further information is required to safely and correctly install the products featured here. Specific installation guidance will be available with the product on delivery and on our website haier.com

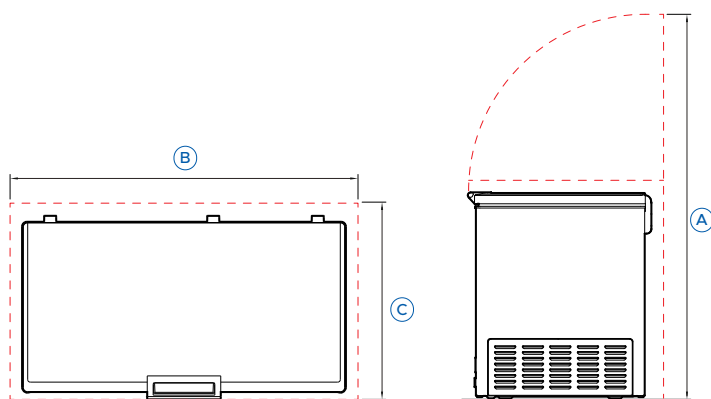
Product Overview

PRODUCT DIMENSIONS



	mm	
A	Overall height	845
	Overall height with lid open	1530
B	Overall width	1320
C	Overall depth (including handle and hinges)	750

CLEARANCE DIMENSIONS



TOP VIEW

SIDE VIEW

	mm	
A	Height clearance with lid open	1580
	Height clearance with lid closed	895
B	Width clearance	1420
C	Depth clearance from front of product (including handle and hinges)	800

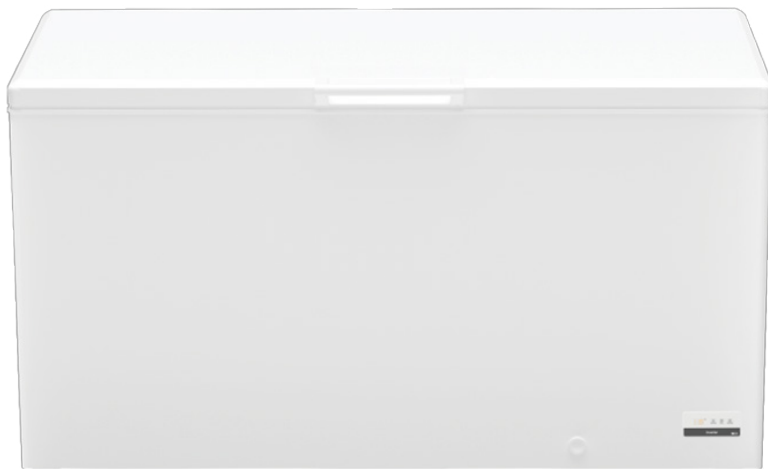
SERVICES

- Supply 220-240 V, 50 Hz
- Service 10 A
- Connection Plug with flex cord

Haier

HCF520W - White

502L 300 Series Chest Freezer



Height

845mm

Width

1545mm

Depth

750mm

Weight
(Packaged)

72kg

Weight (Product)

66kg

HCF520W

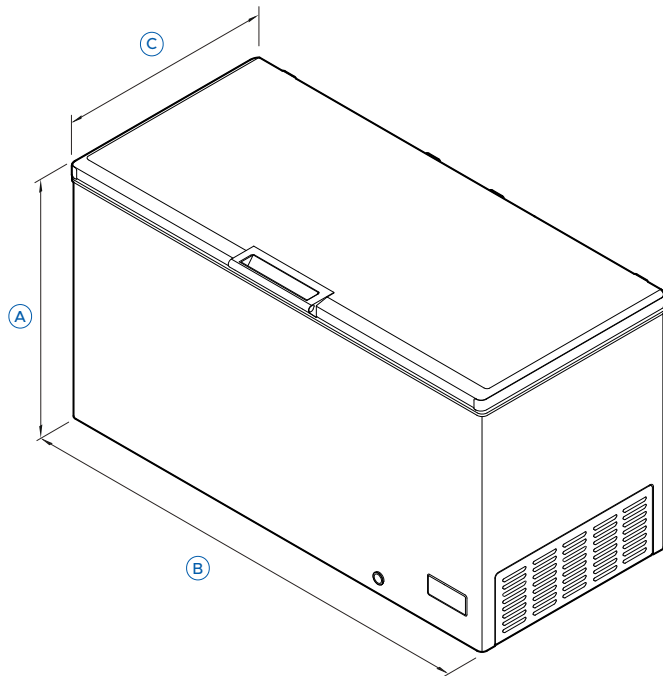
FEATURES

- Generous 502L capacity for family or long-term storage
- Hybrid design switches between fridge and freezer modes
- Temperature range -30°C to 10°C for versatile use
- SuperFreeze™ function rapidly locks in freshness
- Removable antibacterial lid seal for easy cleaning
- Three storage baskets for organised access
- LED lighting for internal visibility
- Drainage outlet allows easier cleaning
- 5.5-star energy

The models shown in this Specification Guide (SG) may not be available in all markets and are subject to change at any time. Product specifications may vary from those shown. This SG should not be used as installation guidance for any product. Further information is required to safely and correctly install the products featured here. Specific installation guidance will be available with the product on delivery and on our website haier.com

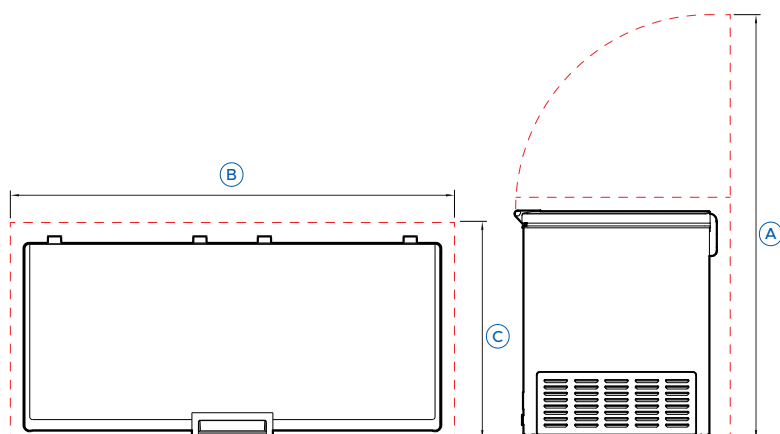
Product Overview

PRODUCT DIMENSIONS



	mm	
A	Overall height	845
	Overall height with lid open	1530
B	Overall width	1545
C	Overall depth (including handle and hinges)	750

CLEARANCE DIMENSIONS



	mm	
A	Height clearance with lid open	1580
	Height clearance with lid closed	895
B	Width clearance	1645
C	Depth clearance from front of product (including handle and hinges)	800

SERVICES

- Supply 220-240 V, 50 Hz
- Service 10 A
- Connection Plug with flex cord

Haier

HCF720W - White

692L 300 Series Chest Freezer



Height

845mm

Width

2042mm

Depth

780mm

Weight
(Packaged)

95kg

Weight (Product)

85kg

HCF720W

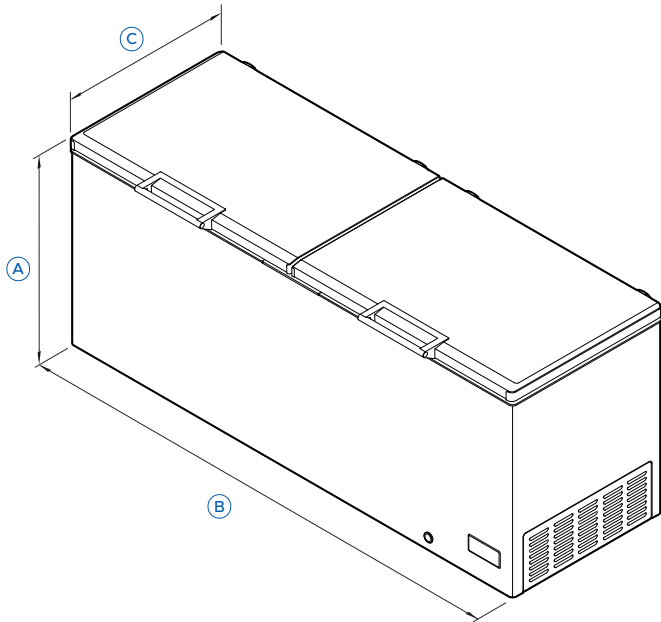
FEATURES

- Extra-large 692L capacity for bulk or shared storage
- Hybrid design switches between fridge and freezer modes
- Temperature range -30°C to 10°C for versatile use
- SuperFreeze™ function rapidly locks in freshness
- Removable antibacterial lid seal for easy cleaning
- Dual lid design improves access
- Three storage baskets for organised access
- LED lighting for internal visibility
- Drainage outlet allows easier cleaning
- 5-star energy rating

The models shown in this Specification Guide (SG) may not be available in all markets and are subject to change at any time. Product specifications may vary from those shown. This SG should not be used as installation guidance for any product. Further information is required to safely and correctly install the products featured here. Specific installation guidance will be available with the product on delivery and on our website haier.com

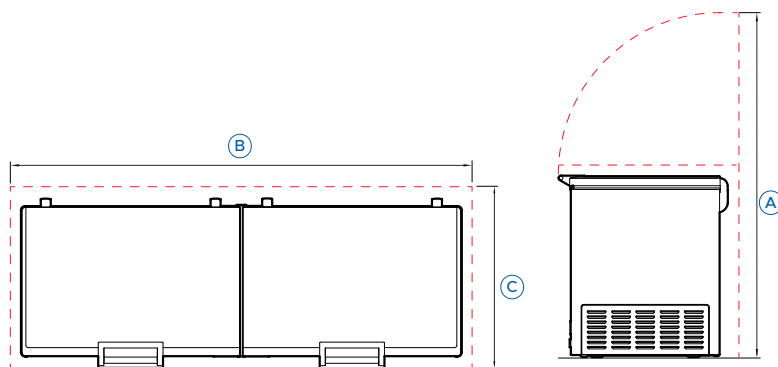
Product Overview

PRODUCT DIMENSIONS



	mm
A Overall height	845
Overall height with lid open	1555
B Overall width	2042
C Overall depth (including handles and hinges)	780

CLEARANCE DIMENSIONS



TOP VIEW

SIDE VIEW

	mm
A Height clearance with lid open	1605
Height clearance with lid closed	895
B Width clearance	2142
C Depth clearance from front of product (including handles and hinges)	830

SERVICES

- Supply 220-240 V, 50 Hz
- Service 10 A
- Connection Plug with flex cord