

The Haier logo is displayed in white text on a dark grey rectangular background in the top right corner of the page.

Haier

Built-under Dishwasher

HDW15U3S1, HDW15U3B1

CONTENTS

Safety and warnings	6
First use	7
Loading suggestions	10
Wash programs	12
Wash modifiers	13
Setting a wash	14
Wi-Fi connection & Remote	16
Settings	17
Detergent	20
Rinse aid	22
Racking features	23
Care & Cleaning	26
Troubleshooting	30
Fault codes	32
Standards test	33
Customer service	34

SAFETY AND WARNINGS

READ AND SAVE THIS GUIDE

Please read these instructions carefully before using this appliance. The instructions contain important information which will help you get the best out of the appliance and ensure safe and proper installation, use and maintenance. Keep this manual in a convenient place so you can always refer to it for the safe and proper use of the appliance. If you sell the appliance, give it away, or leave it behind when you move house, make sure you also pass on this manual so that the new owner can become familiar with the appliance and safety warnings.

Intended Use

- The appliance is designed for domestic use inside the house or in similar applications such as staff kitchen areas in working environments, farm houses, by clients in hotels, motels or other residential environments, and bed and breakfast environments. It is not intended for commercial or industrial use. Do not use it for purposes other than that for which it was designed.
- Changes or modifications to the device are not allowed. Unintended use may cause hazards and loss of warranty claims.

Standards and Directives

- This product meets the requirements of all applicable EC directives with the corresponding harmonised standards, which provide for CE marking.

Before Switching on the Appliance for the First Time

Do...

- make sure all packaging is removed and is kept out of children's reach.
- make sure that the electrical information on the rating plate agrees with the power supply. If it does not, contact an electrician.
- use a separate earthed socket for the power supply. The appliance must be earthed.
- make sure the plug is easy accessible.
- make sure only the delivered electric cable and hose set are used.
- hold the plug and not the electric cable when unplugging the power supply.
- make sure not to damage the electric cable and the plug. If damaged, have it replaced by an electrician.
- make sure the hose joints and connections are firm and there is no leakage.

Do not...

- install or use the appliance where the temperature is below 5 °C.
- use multi-plug adapters and extension cables.
- let persons, children included, with reduced physical sensory, reduced mental functions or lack of experience and knowledge use the appliance if not supervised by a person responsible for their safety.
- put flammable products or items that are wet with flammable products in, near, or on the appliance.

During Daily Use

Do...

- supervise children to prevent them playing with the appliance.
- put sharp pointed objects (e.g. knives) in a way that there is no danger of injury

SAFETY AND WARNINGS

Do not...

- open the door while a programme operates. The appliance can release hot steam.
- keep the appliance door open without supervision to prevent tripping and falling.
- let children or pets come close to the appliance when the door is open.
- sit or place heavy items on the open door.
- remove the dishes from the appliance until the programme is completed. There can still be detergent on the dishes.
- drink the water in the appliance. The water may be contaminated with detergent residues.
- cover any ventilation openings in the base by a carpet or similar object.
- use water spray or steam to clean the appliance.
- let the children make the cleaning and user maintenance without supervision.

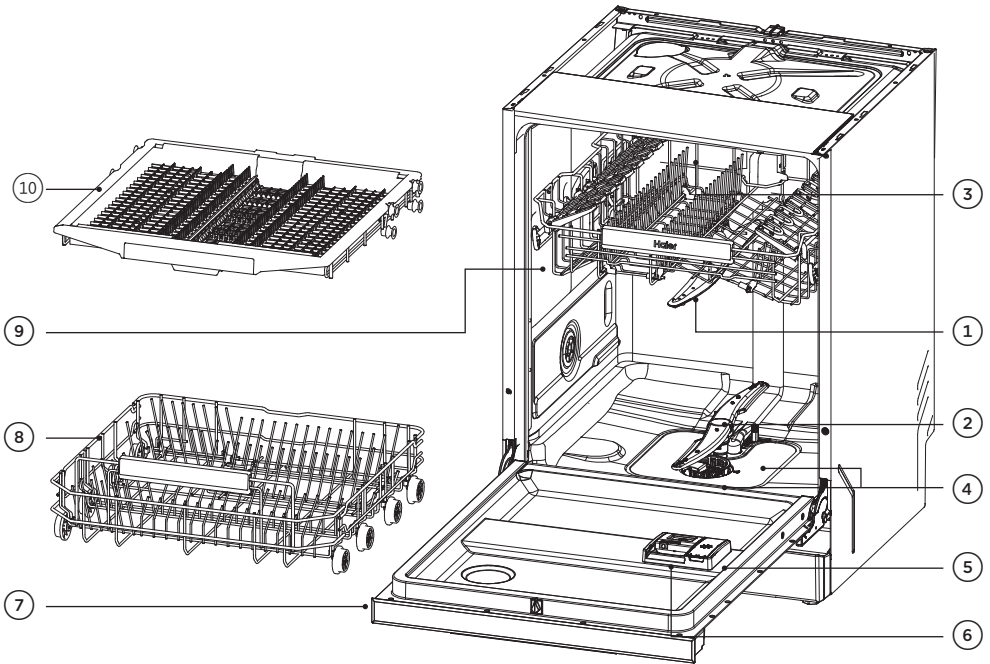
WARNING:

- Some dishwasher detergents are strongly alkaline. They can be extremely dangerous if swallowed. Avoid contact with the skin and eyes and keep children away from the dishwasher when the door is open. Check that the detergent receptacle is empty after completion of the wash cycle.
- Check that the door is not left in the open position since this could present a tripping hazard.
- **Warning:** Knives and other utensils with sharp points must be loaded in the basket with their points down or placed in a horizontal position.
- Only use the hose-set provided by the manufacturer, old hose-set cannot be reused.

Disposal

- Help protect the environment and human health. Put the packaging in applicable containers to recycle it. Help to recycle waste of electrical and electronic appliances. Do not dispose of this appliance with the household waste. Return the product to your local recycling facility or contact your municipal office.
- **WARNING:** Risk of injury or suffocation! Disconnect the appliance from the mains supply. Cut off the mains cable and dispose of it. Remove the door catch to prevent children and pets to get closed in the appliance.

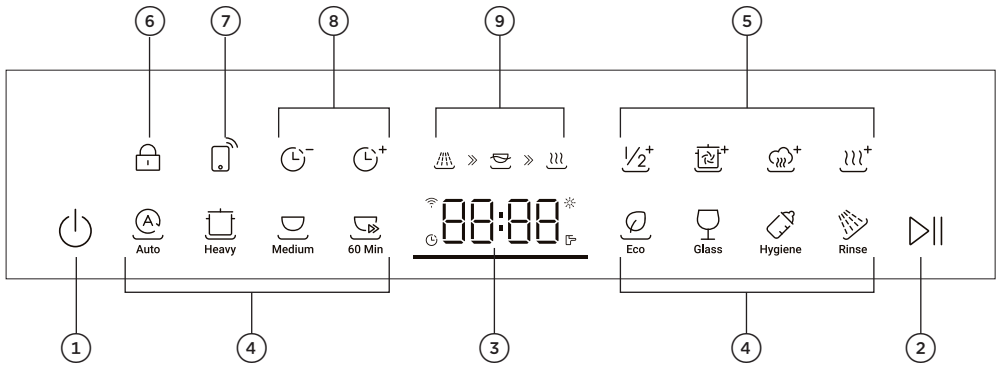
FIRST USE



FEATURES AND ACCESSORIES

1	Upper spray arm	7	Rating label
2	Lower spray arm	8	Lower basket
3	Top spray arm	9	Upper basket (adjustable height)
4	Filter	10	Cutlery/Utensil Tray
5	Rinse aid dispenser		Cutlery Basket
6	Detergent dispenser		

FIRST USE








CONTROL PANEL



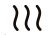
1	On/Off	6	Child lock
2	Start/Pause	7	Remote
3	Display screen	8	Delayed start
4	Wash programs	9	Status indicators
5	Wash modifiers		

FIRST USE





DISPLAY SCREEN INDICATORS

- | | | |
|---|---|---|
| 1 |  Rinse aid | Rinse aid is empty. Refill the rinse aid dispenser. Refer to 'Rinse aid' |
| 2 |  Water tap | The dishwasher is not filling with water. Refer to 'Troubleshooting'. |
| 3 |  Wi-Fi | The dishwasher is connected to Wi-Fi. |
| 4 |  Delay | Delayed start has been set. To cancel, press and hold  for 1 second. |

STATUS INDICATORS

- | | | |
|---|---|--|
| 1 |  Wash | The dishwasher is in the washing stage of the cycle. |
| 2 |  Rinse | The dishwasher is in the rinsing stage of the cycle. |
| 3 |  Dry | The dishwasher is in the drying stage of the cycle. |

EXTRA FEATURES

- | | | |
|---|---|---|
| 1 |  Child Lock | Locks the dishwasher controls for cleaning or to prevent unintended use. Press and hold to turn Child Lock on/off |
| 2 |  Remote* | Your dishwasher may be connected to your home wireless network and operated remotely using the app. Your dishwasher must be connected to Wi-Fi to use Remote.
Press to turn Remote on/off. |
| 3 |  Delayed start (increase time) | Set your dishwasher to start later in the day and run a selected wash program.
Press to set Delayed start. Each press will increase the set time by 1 hour, up to 24 hours. |
| 4 |  Delayed start (decrease time) | Set your dishwasher to start later in the day and run a selected wash program.
Press to set Delayed start. Each press will decrease the set time by 1 hour. |

LOADING SUGGESTIONS

Dishware

The combination of high temperatures and dishwasher detergent may cause damage to some items. Refer to the manufacturer's guidance or wash by hand if in doubt.

Cutlery & silverware

Rinse cutlery and silverware immediately after use to prevent tarnishing. We recommend using the Rinse cycle. Silver should not come into contact with stainless steel, mixing these can cause staining. Remove silver cutlery from the dishwasher and hand dry immediately.

Aluminium

Aluminium can be dulled by detergent. The degree of change depends on the quality of the detergent or aluminium.

Other metals

Iron and cast iron can rust and stain other items. Copper, pewter and brass tend to stain.

Woodware

Woodware is generally sensitive to heat and water. Regular use in the dishwasher may cause deterioration over time.

Glassware

Most glassware is dishwasher safe. Crystal, very fine and antique glassware may etch and develop a cloudy appearance.

Plastics

Some plastics may change shape or colour with hot water. Refer to the manufacturer's guide. Dishwasher safe plastic should be weighed down so it does not flip and fill with water or fall through the base rack during the wash.

Decorated items

Most modern china patterns are dishwasher safe. Antique items, those with a pattern painted over the glaze, gold rims or hand painted china may be more sensitive to machine washing.

Glued items

Certain adhesives are softened or dissolved in machine washing.

Water hardness

Hard water is water with a high concentration of minerals such as calcium and magnesium. It can be detrimental to the performance of your dishwasher and parts can fail over time. Glassware washed in hard water will become cloudy over time and dishes will become spotted or covered in a white film. Water hardness varies by geographical location.

If you live in a hard water area, we recommend fitting a water softener to the household water supply.

If your home has hard water

- Refer to 'Powdered detergent quantity recommendations'.
- Use rinse aid. We recommend you raise the rinse aid setting to 6 to help improve wash performance. Refer to 'Settings' for details.

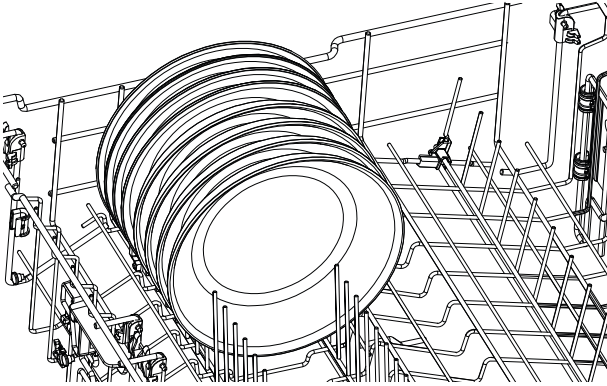
Use a dishwasher cleaner/descaler regularly, or whenever you notice a build-up of limescale deposits in your dishwasher.

If your home has soft or softened water

Avoid using too much detergent.

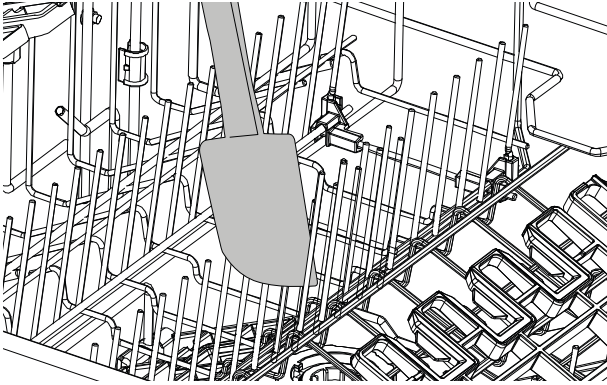
LOADING SUGGESTIONS

When loading your Dishwasher ensure items are placed so water coming from the rotating spray arm below can reach all areas. Wash performance will be reduced if it can't.



Ensure

- All spray arms can rotate freely.
- Tall items do not obstruct the upper spray arm.
- Glass and other fragile items are stable.
- All dish openings are facing downwards.
- Plates are evenly spaced.
- All sharp objects are located securely to avoid injury or damage to the product.











Avoid

- Overcrowding.
- Any protrusions below the racks and basket that may prevent spray arm rotation.
- Any protrusions at the front of the dishwasher.
- Blocking water from any items on the foldaway cup racks.

WASH PROGRAMS

Your dishwasher has a number of wash programs designed to suit your needs. Selecting the most appropriate cycle for each load will help ensure the best wash results.

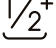


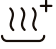
WASH PROGRAMS

1	 Auto	Suitable for any type of load. The dishwasher automatically selects the optimum wash program
2	 Heavy	Designed for heavily soiled pots, pans and dishes.
3	 Medium	Best for dishes that are quite heavily soiled or to remove food soils that have been left to dry overnight
4	 60 Min	60 min Use for dishes that are quite heavily soiled or food soils that have been left to dry overnight.
5	 Eco	For normally soiled dishes for optimum water and energy usage.
6	 Glass	Glass For lightly soiled and heat sensitive crockery and glassware such as wine glasses.
7	 Hygiene	Hygiene Designed to sanitise your dishes.
8	 Rinse	Rinse Prevents odours and soils from drying on dishes. Detergent is not required for this program.

WASH MODIFIERS

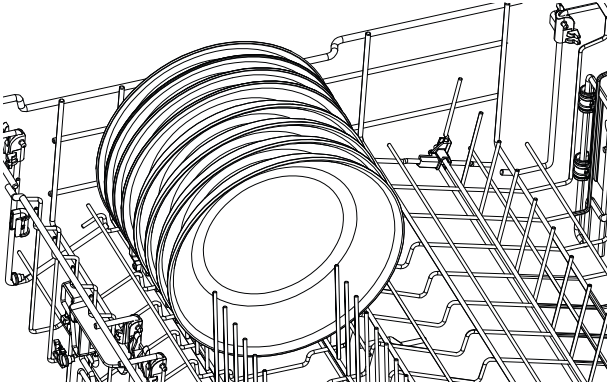
After setting a wash program, you can also select a wash modifier. Not all modifiers can be combined with all wash programs. 1/2 LOAD can be used in combination with the other modifiers.

WASH MODIFIERS

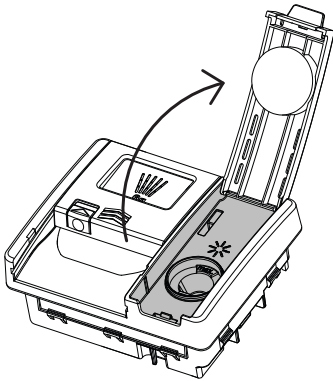
1	 Half Load	Adjusts the wash program to more efficiently wash smaller loads.
2	 Intensive +	Increases the water pressure in the lower rack for heavily soiled pots and pans.
3	 Steam +	Raises the water temperature during the rinse phase to sanitize.
4	 Dry +	Increases the final rinse temperature and the length of the drying phase.

WASH PROGRAM	MODIFIER AVAILABLE
Auto	Dry +
Heavy	Steam +, Dry +, Intensive +, Half load
Medium	Steam +, Dry +, Intensive +, Half load
60 min	Dry +, Intensive +, Half load
Eco	-
Glass	Dry +, Half load
Hygiene	Dry +, Intensive +, Half load
Rinse	-

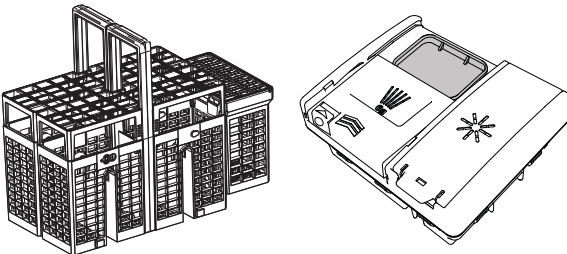
SETTING A WASH



1. Remove all food scraps from dishware before carefully loading into the dishwasher. Ensure the spray arms are free from any obstructions and rotate freely

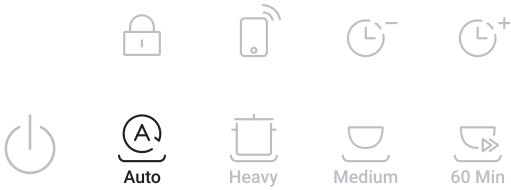


2. If the rinse aid indicator is illuminated, fill the rinse aid dispenser. Refer to 'Rinse aid' for additional guidance.



3. Add detergent to the dispenser and close the cover. Tablets can be placed in the detergent dispenser or in the cutlery basket.

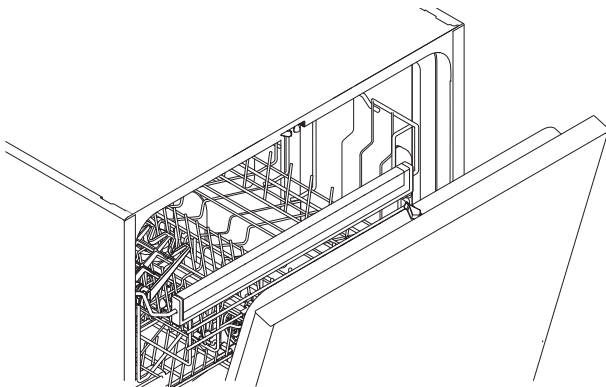
SETTING A WASH



4. Select a wash program.



5. Press >|| to start the wash.



6. After the wash the door will automatically open slightly to assist with drying.* For best results, unload dishes once cooled.

*This feature can be disabled, refer to settings.

WI-FI CONNECTION & REMOTE

Your appliance may be connected to your home wireless network and operated remotely using the app.

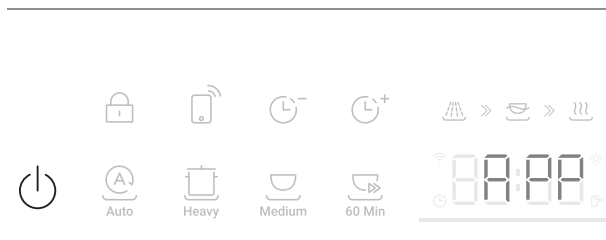
Getting started

- Ensure your home Wi-Fi network is turned on.
- You will be given step by step guidance on both your appliance and mobile device.
- It may take up to 10 minutes to connect your appliance.
- For further guidance and troubleshooting, please refer to the app.

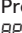
On your mobile device:

1. Download the app from:
 - Australia <https://www.haier.com.au/smart>
 - New Zealand <https://www.haier.co.nz/smart>
2. Register and create an account.
3. Add your appliance and set up the Wi-Fi connection.

Connecting to your home Wi-Fi

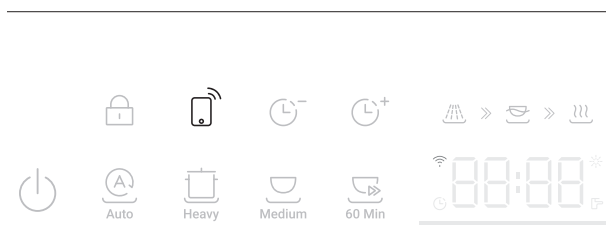



Ensure the dishwasher is in standby with the display off.

Press and hold  for 5 seconds until *APP* appears on the display.

Follow the prompts in the app to complete set-up.

Enabling Remote



Ensure your dishwasher is connected to your Wi-Fi network. Press  to enable.

Remote can only be enabled before starting a wash.

SETTINGS

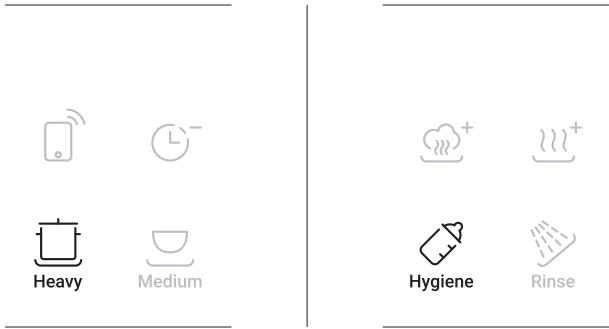
You can adjust any of the below settings prior to starting a wash cycle.

OPTION	DESCRIPTION	DEFAULT	SETTINGS DISPLAY			
Rinse aid	Controls the amount of rinse aid dispensed. Refer to 'Rinse aid' for further details.	rRS	Off	rR-	Max: 6	rRG
Sound	Adjusts tone settings. When set to OFF all tones will be silenced except fault alerts.	bPO	On	bP-	Off	bP-
Auto door open	Enables or disables automatic door opening at the end of the wash.	AdO	On	Ad-	Off	Ad-
Lighting	Enables or disables the interior light.	LLO	On	LL-	Off	LL-

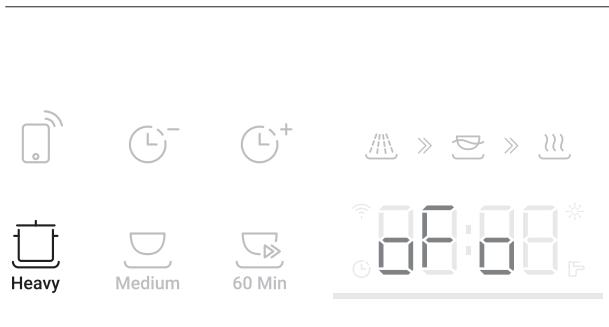
SETTINGS

Changing the settings

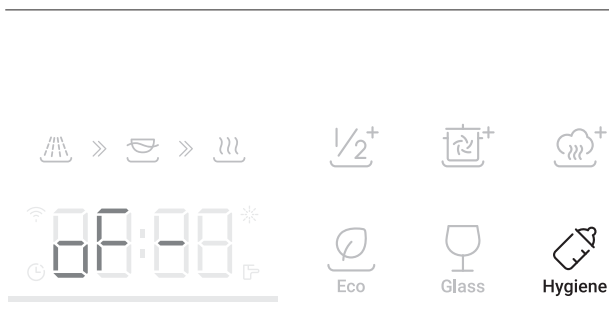
Ensure there is no wash in progress.



1. Press and hold and together for 3 seconds to enter the menu.



2. Press to scroll through the settings.



3. When you get to the setting you require, press to adjust.

SETTINGS



Eco



Glass



Hygiene



Rinse



4. Press  to save the new setting.



Auto



Heavy




Medium



60 Min



5. To exit, press and hold  for 1 second.

DETERGENT

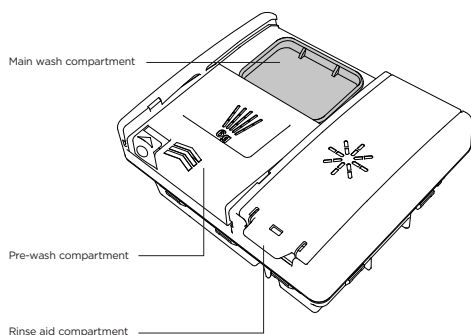
WARNING: Dishwasher detergents are strongly alkaline. They can be extremely dangerous if swallowed. Avoid contact with the skin and eyes and keep children and infirm persons away from the dishwasher when it is open. Check the powdered detergent dispenser is empty after each wash.

Unsuitable detergents

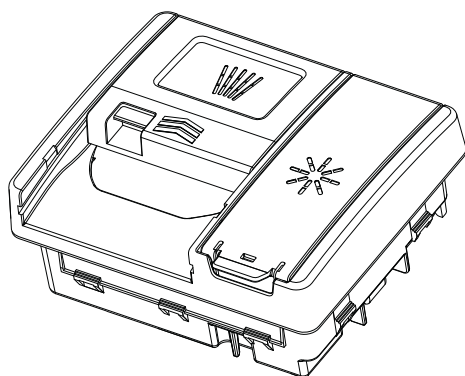
These types of detergent are not suitable and may damage your dishwasher or lead to a service call that is not covered by warranty:

- Liquid detergents
- Laundry detergents
- Hand washing liquids
- Soaps
- Disinfectants

Adding detergent



1. Check that the dispenser is empty and dry. Add powdered detergent or tablets to the detergent dispenser



2. Remove any excess detergent then slide the cover closed. It will click into place. If required, add additional detergent to the pre-wash compartment on top of the dispenser.

DETERGENT

Powdered detergent quantity recommendations

- Use the table below to determine the optimal powdered detergent quantity for each wash program.
- If you have hard water in your area, more detergent may be required. Refer to 'Water hardness' for more details.
- When washing heavily soiled dishware in hard water, more detergent may be required.
- No detergent is needed for Rinse.

WASH PROGRAM	PRE WASH COMPARTMENT	MAIN WASH COMPARTMENT
Auto	None	1/2–2/3
Heavy	Full	2/3
Medium	Full	2/3
60 min	None	1/2
Eco	Full	2/3
Glass	Full	2/3
Hygiene*	None	1/2
Rinse	n/a	n/a

*tablets are not recommended for the Hygiene cycle.

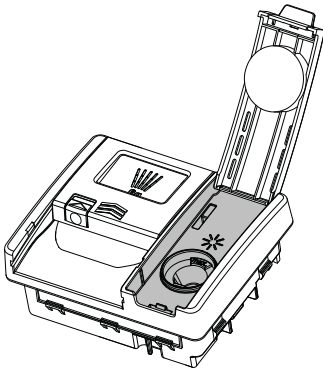
RINSE AID

Using rinse aid

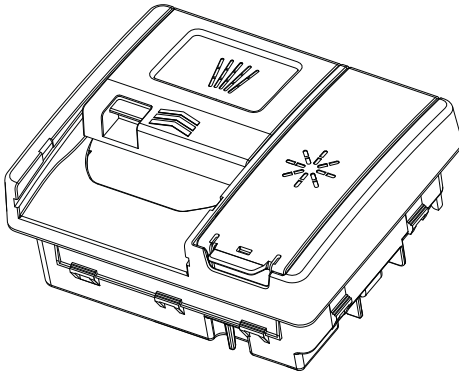
Rinse aid provides a streak-free finish to glass and dishware as well as preventing metal from tarnishing. We recommend using a liquid rinse aid regularly for optimal drying results.

The amount of rinse aid dispensed in each wash may need to be adjusted to suit your water conditions. Refer to 'Settings' and 'Water hardness' for guidance. If using detergent tablets that contain rinse aid, adjust the rinse aid setting lower or turn off.

The rinse aid dispenser is located on the inside of the door next to the detergent dispenser. When the rinse aid level is low, the rinse aid indicator on the control panel will light up to remind you to refill the dispenser.



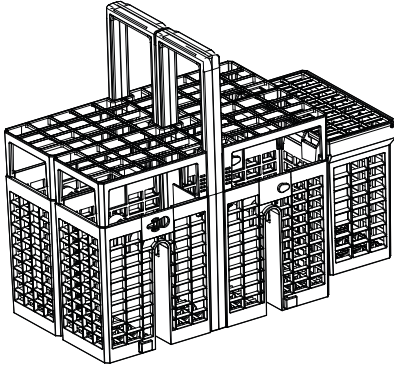
1. Lift the cover open and pour rinse aid into the opening. Do not fill past the MAX line. Take care not to spill any onto the door or detergent bucket.



2. Close the cover, ensuring it clicks shut.

RACKING FEATURES

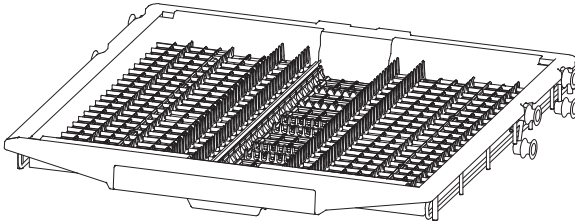
Cutlery basket



To reduce the risk of injury, load knives and sharp utensils with handles facing up.

Mix spoons, knives and forks within each section to stop cutlery nesting together and to ensure the water circulates freely.

Cutlery/Utensil tray

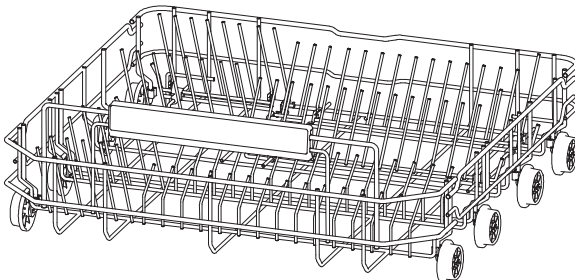


Use the tray to secure cutlery and utensils.

Place cutlery into the notches to secure. Place larger utensils in the middle of the tray.

Slide side sections to the middle to create more space for items below.

Lower basket

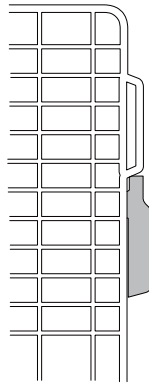
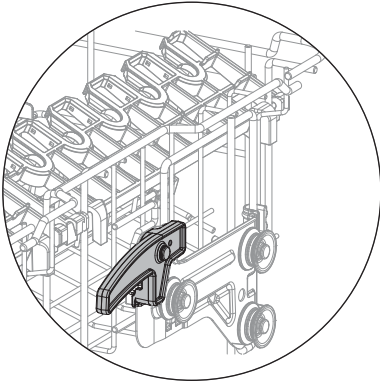


For best results, place heavily soiled items (like pots and pans or dinner plates) in the bottom basket.

RACKING FEATURES

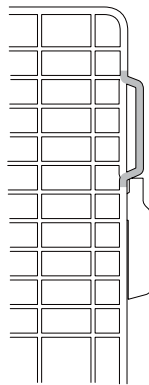
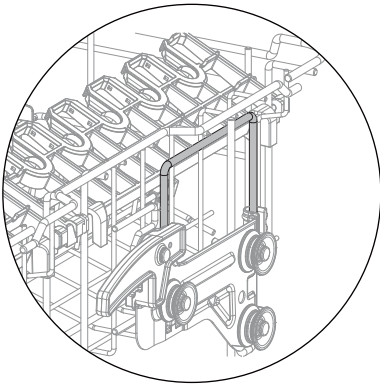
Upper basket

The upper basket is designed to hold items like glasses, cups, saucers, plates, small bowls and shallow pans.



To raise:

Grip these handles both sides and lift basket upwards until it clicks in place.



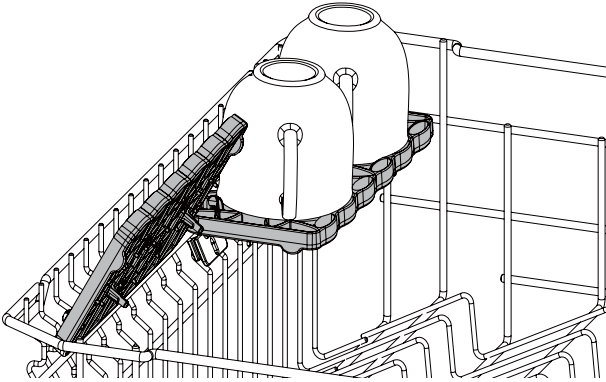
To lower:

Pull the levers up on both sides and carefully lower the basket.

RACKING FEATURES

Foldable cup racks

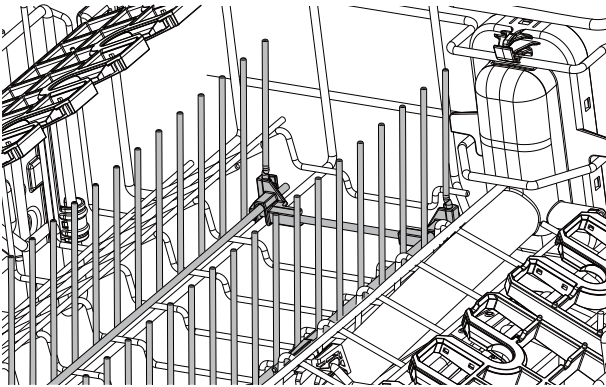
Adjust the height to suit or fold out of the way to make space for other items. Use the notches to support



To adjust height:

1. Fold up to unlock.
2. Adjust the height to suit by sliding up or down.
3. Fold back down to lock in position.

Foldable tines



Some tines can be folded down as needed to make space for other items.

CARE & CLEANING

Disconnect the dishwasher from the power supply and allow it to cool before undertaking any cleaning or maintenance.

Cleaning surfaces

Wipe with a damp cloth and dry using a lint-free cloth. We do not recommend using the following cleaning aids as they may damage the surfaces:

- Plastic or stainless steel scouring pads
- Abrasive, solvent, household cleaners
- Acid or alkaline cleaners
- Hand washing liquids or soap
- Stainless steel cleaners or polishes
- Laundry detergents or disinfectants

Cleaning the filter, spray arms and filter plate

We recommend that the drain filter and filter plate are removed and cleaned once a month or whenever there is evidence of food particles. The spray arms in normal use should require cleaning less frequently. Lower and middle spray arms can be shaken to remove any foreign material, cleaned in hot water, then rinsed in clean water.

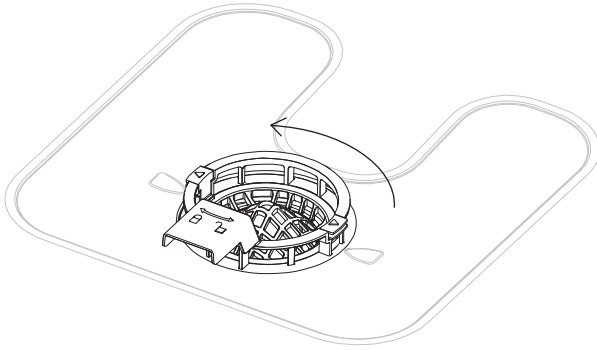
The dishwasher must be used with the filter plate, drain filter and spray arms correctly in place. If using a dishwasher cleaner or descaler, refer to manufacturer instructions.

Extended periods of disuse

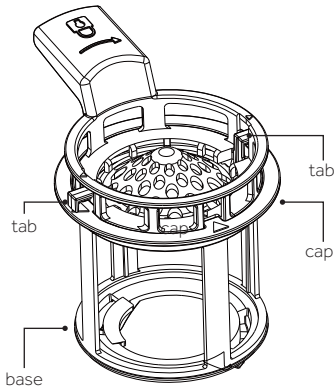
If your dishwasher is not going to be used for some time we recommend turning off the power and water supply, leaving it clean and empty with the door ajar. When using your dishwasher for the first time after a long period away, we recommend pouring 3 cups of water into the dishwasher before use. This helps lubricate components that may have dried out during disuse.

CARE & CLEANING

Removing and cleaning the filter



1. Twist the filter anti-clockwise to release. Lift to remove.

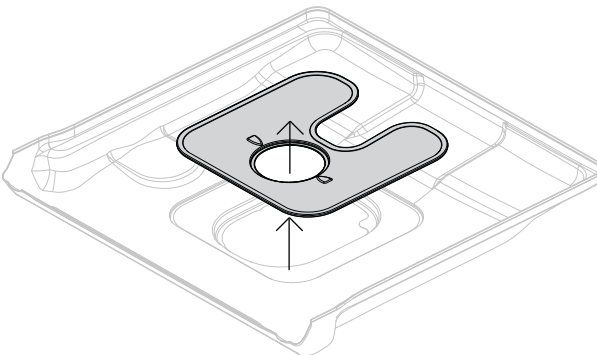


2. Separate the filter cap from the base by pressing the release tabs and lifting.

Do not attempt to remove the filter by force as this may cause damage.

Clean under hot water and with a soft bristled brush before rinsing thoroughly.

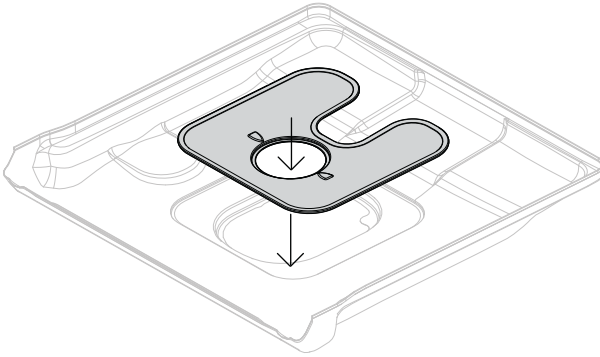
Removing and cleaning the filter plate



With the filter removed, carefully lift the filter plate up and out.

Clean under hot water and rinse thoroughly.

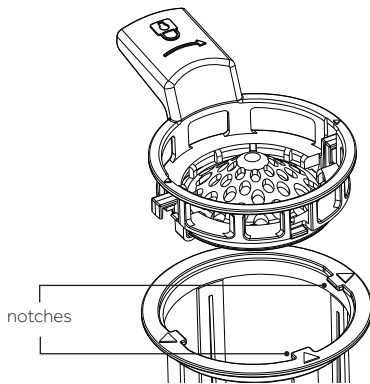
Replacing the filter plate



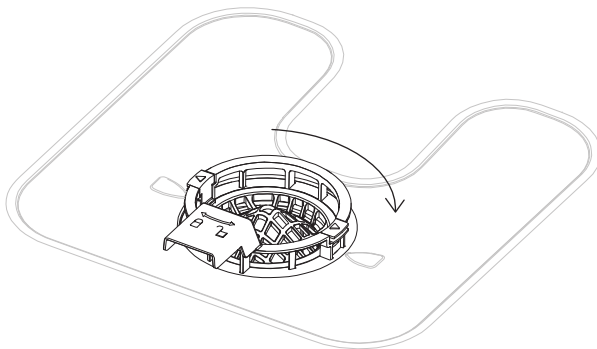
Slot the filter plate under the locating clips at the rear of the drain and push firmly back into place.

Ensure the filter plate is flush with the dishwasher base.

Replacing the filter



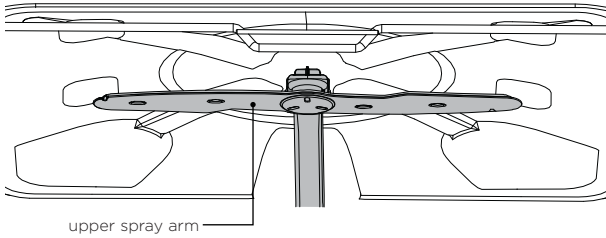
1. Align the filter cap with the notch on the filter base for one side. Press the button to settle the filter cap on the filter base for the other side.



2. Place the drain filter back into the dishwasher base. Rotate clockwise to click into place.

CARE & CLEANING

Cleaning the top spray arm

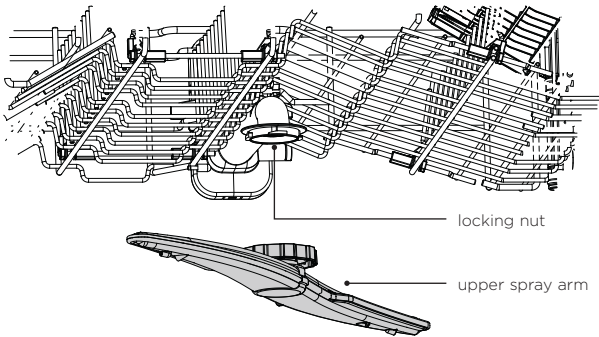


Do not remove the top spray arm for cleaning.

Clean with a small, plastic-bristled brush.

If heavily soiled or blocked use a dishwasher cleaner/descaler. Follow the manufacturer's instructions.

Cleaning the upper spray arm

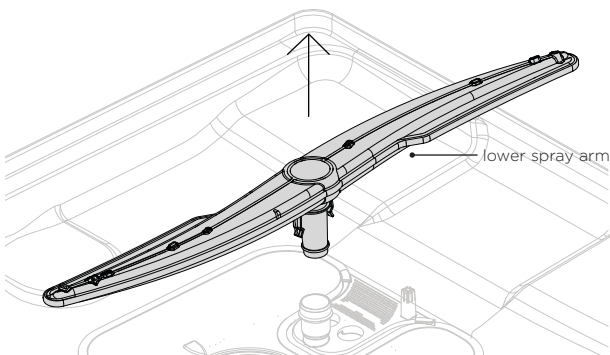


To remove the upper spray arm, turn the locking nut clockwise to release.

Rinse the spray arm thoroughly under

running water, then refit.

Cleaning the lower spray arm



To remove the lower spray arm, lift it from the base of the dishwasher.

Rinse the spray arm thoroughly under running water, then refit.

Ensure the arm rotates freely when refitted.

TROUBLESHOOTING

PROBLEM	POSSIBLE CAUSES	WHAT TO DO
Dishwasher will not start	No power.	Ensure the dishwasher is plugged in and the power supply is turned on at the wall.
	The door is not properly closed.	Close the door.
	▶II has not been pressed.	Press ▶II.
	Water tap not turned on.	Ensure water is connected and turned on.
	Blocked strainer in water inlet hose.	Check the strainer and clean if necessary - it is located where the water inlet hose screws into the tap.
The rinse aid indicator is lit.	The rinse aid dispenser is empty.	Refill the rinse aid dispenser.
Dishes are not clean.	Filters are clogged.	Clean the filters.
	Filters are not correctly assembled and installed.	Make sure that the filters are correctly assembled and installed.
	Spray arms are clogged.	Remove remaining food remnants with a thin pointed object.
	Unsuitable wash program selected.	Make sure that the program is applicable for the type of load and food remnants.
	Incorrect position of the items in the baskets. Water could not wash all items.	Make sure that the position of the items in the baskets is correct and that the water can easily wash all items.
	Spray arms could not turn freely.	Make sure that the position of the items in the baskets is correct and does not cause the blockage of the spray arms.
	No detergent or insufficient quantity of detergent in the detergent dispenser	Make sure that you add the correct quantity detergent in the dispenser before you start a programme.
	The wash cycle was interrupted by a long break	Do not open the door or cut power supply during the wash cycle.
Whitish streaks, stains or bluish layers on glasses and dishes.	Rinse aid dosage too high.	Decrease rinse aid dosage. Refer to 'Rinse aid.'
	Quantity of detergent was too much.	Make sure that you add the correct quantity of detergent in the dispenser before you start a programme.
	Detergent tablets used with a short wash program might not fully dissolve.	Select a longer program when using detergent tablets.

TROUBLESHOOTING

PROBLEM	POSSIBLE CAUSES	WHAT TO DO
Water marks left on glasses and cutlery	Rinse aid dosage is too low.	Increase rinse aid dosage. Refer to section 'Settings'
	Quality of rinse aid or tablets.	Cleaning product too old, change the product.
The dishes are wet.	Selected wash program had no drying phase.	Open the door slightly and leave it ajar (about 100 mm) to help the drying process.
	Selected wash program had a low temperature drying phase.	
Glasses have a dull appearance.	Rinse aid dispenser is empty.	Refill the rinse aid dispenser.
	Quality of rinse aid or tablets.	Cleaning product too old, change the product.

FAULT CODES

How do I know if there is a fault?

Your dishwasher will beep continuously and a fault code will flash in the display. There are two types of fault codes – 'F' and 'A'.

To fix a fault

First try to fix the issue and clear the code according to the steps in the following tables. If the problem persists:

- 1 Note down the fault code.
- 2 Contact Customer Care for support or to organize a visit by a service technician. Refer to the Service and Warranty booklet for contact details.

'F' fault codes

You may be able to clear the fault by resetting the dishwasher. Follow the steps below

- 3 Press and hold CANCEL to stop the beeping, then again to clear the fault code.
- 4 Wait a few seconds, then press to turn the dishwasher back on.

If the fault code has disappeared, the fault has been reset and you can continue to use your dishwasher.

'A' fault codes

Your dishwasher will beep continuously and a fault code will flash in the display. There are two types of fault codes – 'F' and 'A'.

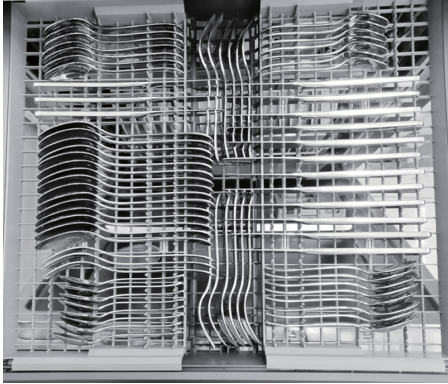
PROBLEM	POSSIBLE CAUSES	WHAT TO DO
Display shows A10 fault and an alarm is sounding. The appliance does not fill with water.	Water tap is closed.	Open the water tap. To reset the fault turn the dishwasher on and off and restart the program.
	Water inlet hose has a kink or a bend.	Make sure that the position of the hose is correct.
	Filter in the water inlet hose is clogged.	Clean the filter at the inlet hose connections at tap and the rear of the appliance.
	Water inlet is clogged.	Check water flow from tap
	Water pressure is too low.	Contact your local water authority.
Display shows F30 fault and an alarm is sounding. Anti-flood device is on.	There is a leak in the dishwasher.	Close the water tap. Disconnect the appliance.
	The water inlet valve is open and blocked.	Contact service.
	The drain is blocked	

STANDARDS TEST

The dishwasher is tested to AS/NZS 2007 and AS/NZS 6400 standards for wash and dry performance, energy and water consumption using the parameters detailed below.

Wash programme	Eco The door will auto open during drying phase
Powdered detergent quantities	5 g pre-wash + 28.75 g main wash
Rinse aid dosage level	d5
Maximum number of place settings	15
Height adjustment of upper basket	Ensure the upper basket is set in the lowest position

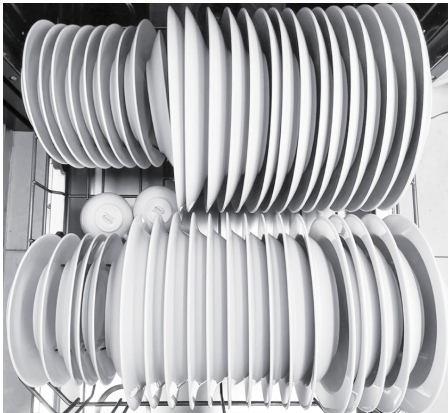
Recommended loading patterns



Cutlery / Utensil tray



Upper basket



Lower basket

MANUFACTURER'S WARRANTY

Please read this warranty carefully. Attach your purchase receipt to this warranty and keep in a safe place. You must produce both warranty and proof of purchase in the event of a warranty repair being required.

When you purchase any new Haier Product you automatically receive a two year Manufacturer's Warranty covering parts and labour for servicing.

The Manufacturer undertakes to:

Repair or, at its option, replace without cost to the owner either for material or labour any part of the Product, the serial number of which appears on the Product, which is found to be defective within TWO YEARS from the date of purchase.

This warranty DOES NOT cover:

- Ⓐ Service calls which are not related to any defect in the Product. The cost of a service call will be charged if the problem is not found to be a Product related fault. For example:
 - ① Correct the installation of the product.
 - ② Provide Instruction on use of the product or change the setup of the product.
 - ③ Replace house fuses or correct house wiring.
 - ④ Correcting faults) caused by the user.
 - ⑤ Noise or vibration that is considered normal.
 - ⑥ Water on the floor due to incorrect loading or excessive suds.
 - ⑦ Blocked pumps, removal of foreign objects/substances from the machine, including the pump and inlet house filters.
 - ⑧ Correcting damage caused by pests, eg. rats, cockroaches etc.
 - ⑨ Correct corrosion or discolouration due to chemical attack.
 - ⑩ Power outages or surges.
- Ⓑ Defects caused by factors other than:
 - ① Normal domestic use or
 - ② Use in accordance with the Product's User Guide.
- Ⓒ Defects to the Product caused by accident, neglect, misuse or 'Act of God'.
- Ⓓ The cost of repairs carried out by non-authorized repairers or the cost of correcting such unauthorised repairs.
- Ⓔ Normal recommended maintenance as set out in the Product's User Guide.
- Ⓕ Repairs when the appliance has been dismantled, repaired or serviced by other than an AUTHORISED CUSTOMER SERVICE CENTRE or the selling dealer.
- Ⓖ Pick up and delivery.
- Ⓗ Transportation or travelling costs involved in the repair when the product is installed outside the AUTHORISED CUSTOMER SERVICE CENTRE'S normal service area.

This product has been designed for use in a normal domestic environment. It is not intended for commercial use. Doing so may affect product warranty.

Service under this warranty must be provided by an Authorised Service Repairer (refer to the Customer Care section for contact details). Such service shall be provided during normal business hours. This warranty certificate should be shown when making any claim.

MANUFACTURER'S WARRANTY

Note:

This Warranty is an extra benefit and does not affect your legal rights and applies only to product purchased in New Zealand and Australia. Please keep this Warranty Card in a safe place.

For Australian customers:

Our goods come with guarantees that cannot be excluded under the Australian Consumer Law. You are entitled to a replacement or refund for a major failure and for compensation for any other reasonably foreseeable loss or damage. You are also entitled to have the goods repaired or replaced if the goods fail to be of acceptable quality and the failure does not amount to a major failure.

CUSTOMER SERVICE

We recommend our Haier Customer Service and the use of original spare parts.

If you have a problem with your appliance, please first check TROUBLESHOOTING. If you cannot find a solution there, please contact:

- Your local dealer.
- The Service & Support area at **www.haier.com.au** or **www.haier.co.nz**

where you can activate the service claim and also find FAQs.

To contact our Service, ensure that you have the following data available.
The information can be found on the rating plate at the door.

Model _____

Serial No. _____

Complete and keep for safe reference:

Model _____

Serial No. _____

Purchase Date _____

Purchaser _____

Dealer _____

Suburb _____

Town _____

Country _____

Haier

WWW.HAIER.COM.AU
WWW.HAIER.CO.NZ

条形码尺寸40*8mm,由厂家生成。

432476A (0120506823A) | 05.24