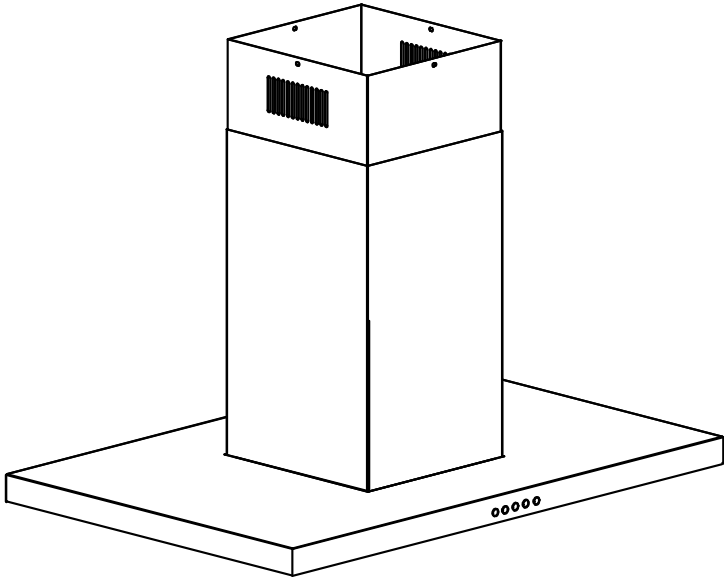


**INSTALLATION INSTRUCTIONS
USER GUIDE**



ISLAND RANGEHOOD, BOX CHIMNEY

HI90BLX1

NZ AU

CONTENTS

Safety and warnings	3
Installation instructions	5
Operating instructions	15
Cleaning and maintenance	16
Parts and accessories	19
Manufacturer's Warranty	20
Customer Care	22

IMPORTANT!

SAVE THESE INSTRUCTIONS

The models shown in this user guide may not be available in all markets and are subject to change at any time. For current details about model and specification availability in your country, please go to our website www.fisherpaykel.com or contact your local Fisher & Paykel dealer.

Registration

Register your product with us so we can provide you with the best service possible.

To register your product visit our website: www.fisherpaykel.com

SAFETY AND WARNINGS

WARNING!



27kg
(HI90)

Weight Hazard

The rangehood is heavy. Please ensure adequate care is taken when installing the rangehood to prevent personal injury. The rangehood must be installed onto a solid wall, stud, beam or truss. Weight of the HI90BLX1 is 27kg.

WARNING!



Electric Shock Hazard

Always disconnect the appliance from the mains power supply before carrying out any maintenance or repairs. Alterations to the domestic wiring system must be made by a qualified electrician. Failure to follow this advice may result in electric shock or death.

IMPORTANT SAFETY INSTRUCTIONS

WARNING! When using this appliance always exercise basic safety precautions including the following:

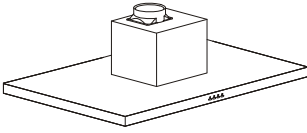
- Please read the entire set of instructions before installing or using this appliance.
- Please make this information available to the person installing the appliance - doing so could reduce your installation costs.
- Always switch the power off prior to installation, servicing or cleaning of the rangehood.
- This appliance must be installed and connected to the mains power supply only by a suitably qualified person according to these installation instructions and in compliance with any applicable local building and electricity regulations. Failure to install the appliance correctly could invalidate any warranty or liability claims.
- To comply with electrical safety regulations, the rangehood must be plugged into a socket near the appliance. The socket must be accessible, or have an accessible isolating switch, to enable the end user to isolate the rangehood from the power for the purpose of internal cleaning or maintenance.
- **A power outlet should be within the range that does not affect installation and use of the motor assembly and can either be the chimney or in the ceiling.**
- If the supply cord of this equipment is damaged, it must only be replaced by the manufacturer, its service agent or similarly qualified person in order to avoid a hazard.
- Ducting accessories are not supplied. All ducting must comply with local requirements and building codes.
- Attention should be given to ensure that any applicable regulations concerning the discharge of exhaust air are fulfilled.
- Before connecting any pipes, consult municipal ordinances to ensure that any applicable regulations concerning the discharge of exhaust air are adhered to and request permission from the person in charge of the building.

SAFETY AND WARNINGS

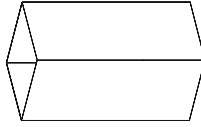
- Exhaust air must not be discharged into an existing flue that is used for exhausting fumes from appliances burning gas or other fuels. Range hoods and other cooking fume extractors may adversely affect the safe operation of appliances burning gas or other fuels (including those in other rooms) due to back flow of combustion gases. These gases can potentially result in carbon monoxide poisoning. After installation of a range hood or other cooking fume extractor, the operation of flued gas appliances should be tested by a competent person to ensure that back flow of combustion gases does not occur.
- The minimum distance between the supporting surface for cooking vessels on the cooktop and the lowest part of the rangehood shall be 600 mm or 650 mm if installed over a gas cooktop.
- Stainless steel is very easily damaged during installation if abraded or knocked by tools. It is recommended to protect the top of the rangehood with cardboard or polystyrene during the installation to minimise the risk of damage occurring.
- To reduce the risk of damage occurring to the cooktop, it is recommended that the surface of the cooktop is protected with cardboard or a similar object during installation of the rangehood.
- This appliance is not intended for use by persons (including children) with reduced physical, sensory or mental capabilities, or lack of experience and knowledge, unless they have been given supervision or instruction concerning the use of the appliance by a person responsible for their safety.
- Children should be supervised to ensure they do not play with the appliance. Cleaning and user maintenance shall not be made by children without supervision.
- You must read the details concerning the method and frequency of cleaning.
- There is a fire risk if cleaning is not carried out in accordance with the instructions.
- Never leave frying food unattended since grease can overheat and catch fire. The risk of fire is even greater in the case of used oil.
- Do not flambé under the rangehood.
- Never use the rangehood without the filters in place.
- During an electrostatic discharge (ESD) it is possible that the device will stop working. By switching the device off and on the device will again work as intended.
- **CAUTION:** accessible parts may become hot when used with cooking appliances.
- Remove all packaging, including protective wrappings, before use.

INSTALLATION INSTRUCTIONS

Contents of packaging



Cooker Hood (1)



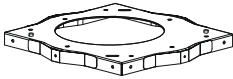
Outside chimney (1)



Inside chimney (1)



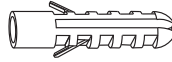
Hook (1)



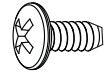
Hanging board
(1)



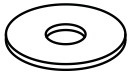
Angle iron (8)



Wall plug (12)



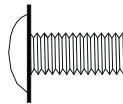
Screw
(ST4 × 8mm) (4)



Washer
(Ø4*12*1mm) (26)



M4 screw nut (26)



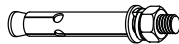
Screw
(M4 × 10mm) (42)



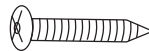
V-flap (150) (1 pair)



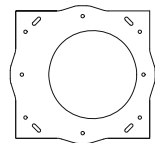
Cable tie (1)



Screw
(Ø6*60mm) (8)



Screw
(ST6*40mm) (12)



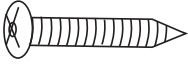
Hanging board
picture (1)

INSTALLATION INSTRUCTIONS

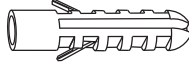
Optional Recirculation Accessories

(when ducting externally not possible)

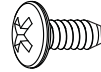
T-shape Recirculation Outlet Kit



Screw ST4*30mm (2)



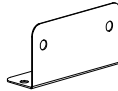
Wall plug (2)



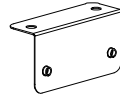
Screw ST3*12mm (2)



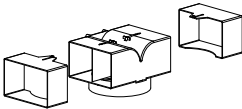
Screw ST4*8mm (4)



Bracket 1 (1)

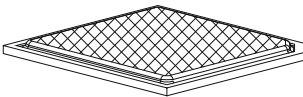


Bracket 2 (1)



T-shaped plastic outlet (1)

Recirculation Carbon filters



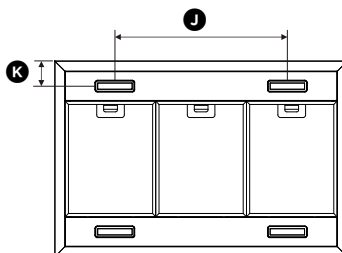
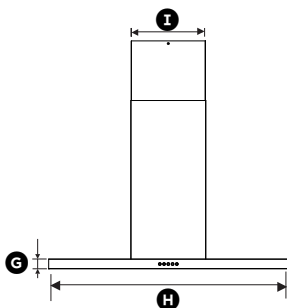
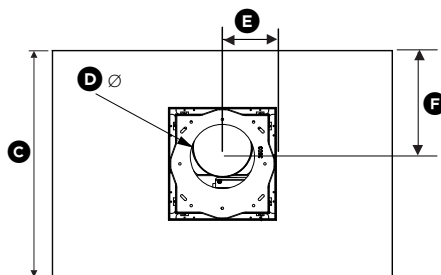
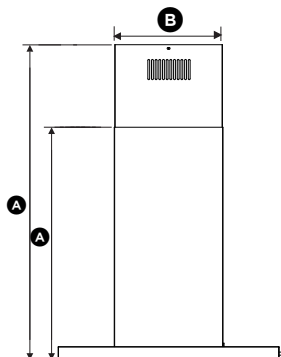
Carbon filter (1)

Not Included – available separately

See **Parts and Accessories** section for ordering details

INSTALLATION INSTRUCTIONS

Product dimensions



HI90BLX1

PRODUCT DIMENSIONS	mm
(A) Overall height of product	min 950 - max 1100
(B) Depth of chimney	295
(C) Overall depth of product	600
(D) Diameter of ducting outlet	150
(E) Distance from centre of ducting outlet to side of chimney	141
(F) Distance from centre of ducting outlet to back of product	281
(G) Height of product	37
(H) Overall width of product	898
(I) Width of chimney	282
(J) Distance between centre of lights	530
(K) Distance between centre of lights to back of product	77

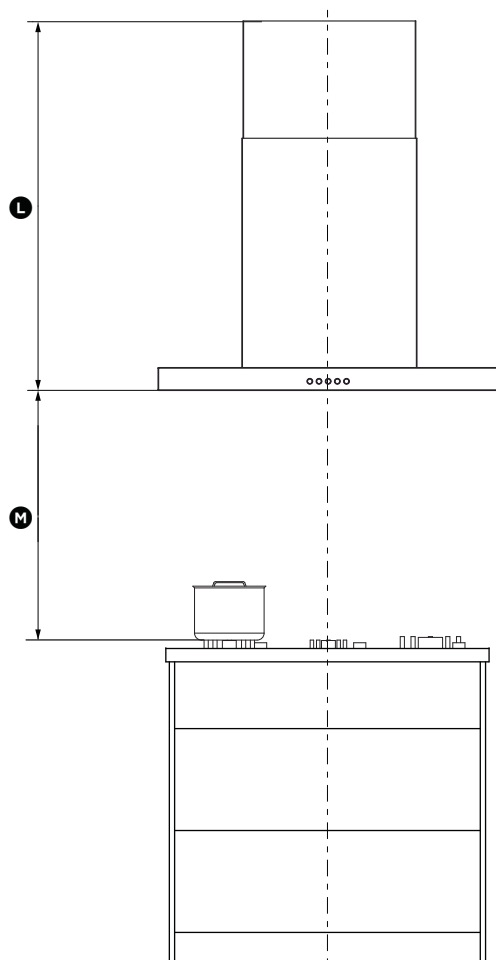
IMPORTANT!

Actual product dimensions may vary by ± 2 mm.

Please read the entire instructions before installing the rangehood.

INSTALLATION INSTRUCTIONS

Height of rangehood



INSTALLATION DIMENSIONS

mm

Ⓛ Installation height	Ducted	min 950 - max 1100
	Recirculation	min 950 - max 1100
Ⓜ Height top of cooktop to base of product	Electric cooktop	min. 600 – max. 750
	Gas cooktop	min. 650 – max. 750

Rangehood installation height above the cooktop is the user's preference.

Lower installation heights will improve the efficiency of capturing cooking odours, grease, and smoke. This rangehood must be installed between the minimum and maximum dimensions indicated in the table above.

Minimum installation height may be greater if required by the cooktop, refer to your cooktop installation instructions.

INSTALLATION INSTRUCTIONS

Venting options

Attention should be given to ensure that any applicable regulations concerning the discharge of exhaust air are fulfilled.

The rangehood can be installed to operate with the exhaust air ducted externally from the kitchen, or installed to operate with the exhaust air recirculating within the kitchen.

Ducted

For ducted installation it is recommended that 150 mm diameter, rigid or semi-rigid ducting is used. This will require a 160 mm (min) round hole in the ceiling or wall. Care should be taken to position the hole correctly.

For optimal efficiency use the shortest and straightest duct route possible and use rigid or semi-rigid ducting for reduced noise and increased airflow. Flexible metal ducting should only be used as a last resort (ie in difficult installations) and if used ensure that it is straight and smooth and extended as much as possible.

Recirculating

To enable the product to operate with the air recirculating, please purchase a recirculation diverter and carbon filters (refer to the 'Parts and accessories' section). The recirculation diverter is required to channel the air out the side vents at the top of the chimney and the carbon filters are required to remove odours.

Note: a ducting hole is not required in the wall or ceiling if the rangehood is installed to operate with exhaust air recirculating.

INSTALLATION INSTRUCTIONS

WARNING!

- **This product is heavy and requires two persons for installation.**
- **Installation work and electrical wiring must be done by qualified person(s) in accordance with all applicable codes and standards.**
- **Failure to install the screws or fixing device in accordance with these instructions may result in electrical hazards**

IMPORTANT!

Wear gloves to protect against sharp edges.

The manufacturer is not liable for any damage caused by not following these instructions.

Installation

Preparing for installation:

Before installing your rangehood:

- Please read the instructions carefully.
- Unpack the rangehood.
- Ensure that the voltage (V) and the frequency (Hz) indicated on the serial plate match the voltage and frequency at the installation site.
- Check that all functions are working.
- Check that the area behind the installation surface to be drilled is clear of any electrical cables or pipes, etc.
- The rangehood surfaces can be damaged during installation if grazed or knocked by tools. Please take care to protect the surfaces during installation.
- Protect the cooktop surface with cardboard, or the like, to prevent damage occurring whilst the rangehood is being installed above.

INSTALLATION INSTRUCTIONS

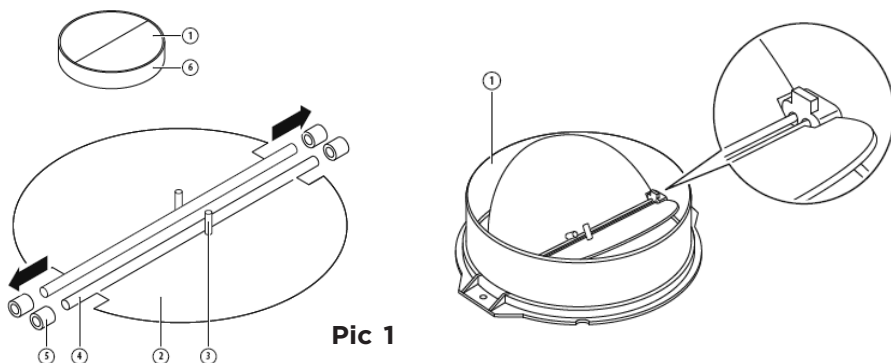
INSTALLATION (VENT OUTSIDE)

MOUNTING OF THE V-FLAP

If the cooker hood does not have an assembled V-flap 1, you should mount the half -parts to its body. The images only show an example of how to mount the V-flap, because the outlet may vary according to different models and configurations.

To mount the V-flap 1 you should:

- Mount two half-parts 2 into the body 6
- the pin 3 should be top oriented;
- the axis 4 should be inserted into the holes 5 on the body;
- repeat all the operations for the 2nd half-part



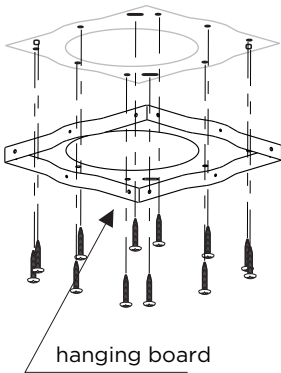
Pic 1

INSTALLATION

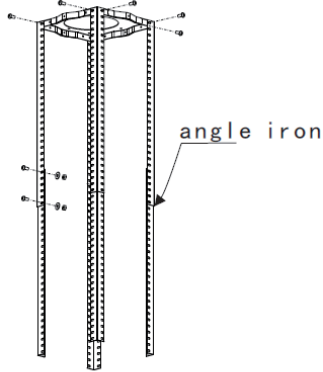
If you have an outlet to the outside, your cooker hood can be connected as below picture by means of an extraction duct.

1. Ensure that there is a power socket in an accessible location in the ceiling.
2. The ceiling must bear at least 120kg weight, and the thickness of the ceiling must be ≥ 30 MM.
3. Fasten the paper template to the ceiling centered over the cooktop .
4. Drill 1*170mm round hole in the ceiling in the location shown by the template.
5. Drill 12 holes in the ceiling and fasten the hanging board, see pic 2. Use the 12pcs of ST6*40mm screws OR the other supplied fasteners depending on the ceiling.
6. Calculate the required length of the angle iron. Use 16pcs M4*10 screws and M4 nuts with washers to connect the angle iron together. The overlap of the angle iron can not be less than 100mm.
7. Use 8pcs of M4*10 screws and M4 nuts with washers to connect the angle iron to the hanging board, see pic 3
8. Install the ducting through the 170mm hole in the ceiling.

INSTALLATION INSTRUCTIONS



Pic 2

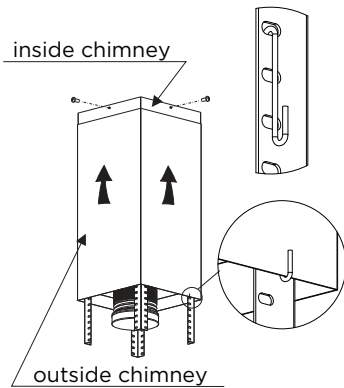


Pic 3

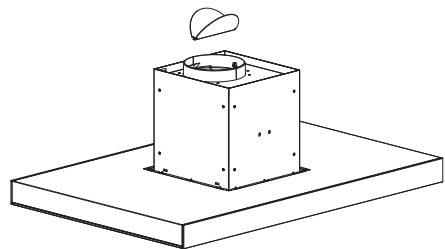


Pic 4

9. Use 4pcs ST4*8 screws to connect the inside chimney onto the hanging board .
10. Slide the outside chimney over the inside chimney and secure it in a raised location with the supplied hook, see pic 5. Install the v-flap to the outlet. See pic 6.
11. While holding the hood in place, use 16pcs M4*10 screws to connect . the hood body to the angle iron, see pic 7.



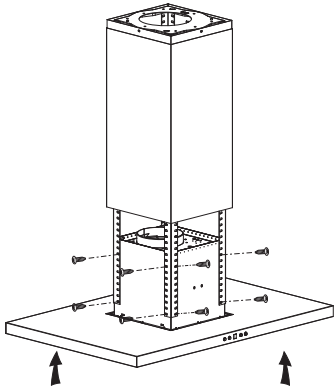
Pic 5



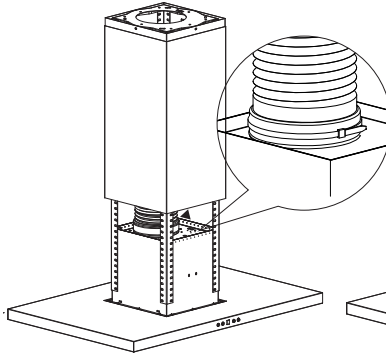
Pic 6

INSTALLATION INSTRUCTIONS

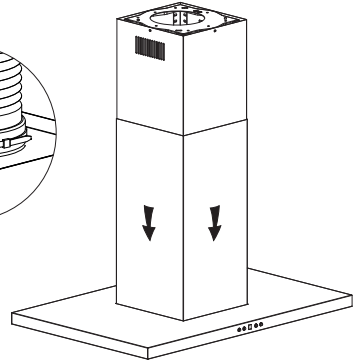
12. Fix the expansion pipe to the outlet with a cable tie See pic 8. Connect the power supply.
13. Check that hood is secure. Lift the outside chimney off the hook and slide it down over the hood. See pic 9.



Pic 7



Pic 8

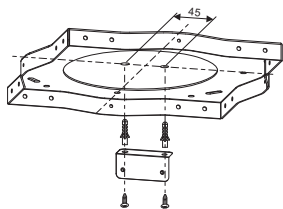


Pic 9

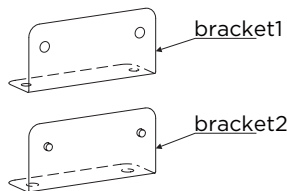
Recirculation Installation only (Accessory available) Install the recirculation T-shaped plastic outlet

1. As shown in pic 10, drill two 8mm holes, 45mm apart centered on the hanging board. Use 2x ST4*30mm screws to attach bracket 2 onto the ceiling. Use the wall plugs if required.
2. As shown in pic 12, use 2 pcs ST4*8mm screws to fix bracket 1 to the T-shaped plastic outlet.
3. Adjust the width of the T-shaped outlet to the width of the chimney. Secure this position with 2pcs ST3*12mm screws.
4. As shown in pic 13 and 14, fix the T-shaped plastic outlet to the ceiling with 2 pcs ST4*8mm screws.
5. Complete the rest of the installation as per vented installation. As shown in pic 15 and 16, use 4pcs ST4*8mm screws to fix the inside chimney to the hanging board .

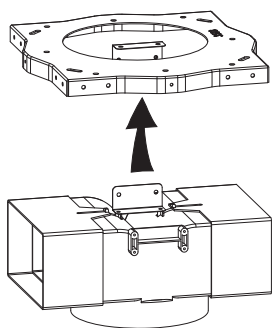
INSTALLATION INSTRUCTIONS



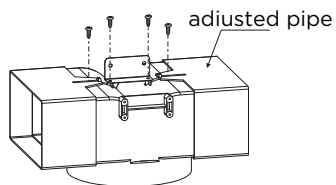
Pic 10



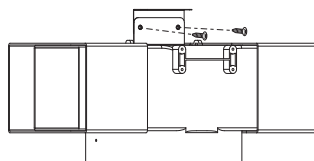
Pic 11



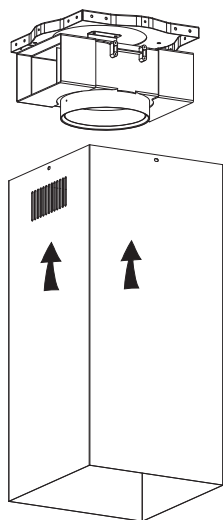
Pic 13



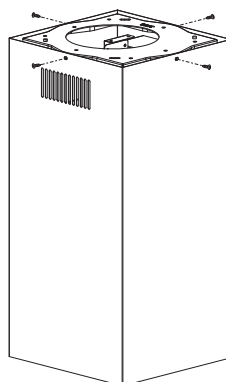
Pic 12



Pic 14



Pic 15



Pic 16

OPERATING INSTRUCTIONS

Start Using Your Cooker Hood

Push button

- 1) Push the “0” button, and the motor will stop.
- 2) Push the “1” button, and the motor will run at low speed.
- 3) Push the “2” button, and the motor will run at mid speed.
- 4) Push the “3” button, and the motor will run at high speed.
- 5) Push the light button and the two lights will illuminate. Push it again and the light will turn off.



CLEANING AND MAINTENANCE

WARNING!

Unplug or disconnect the appliance from the power supply before servicing or cleaning.

IMPORTANT!

- Never use abrasive or oil based cleaners.
- Wear gloves to protect against sharp edges.

Maintenance

The rangehood should be cleaned regularly using a mild, liquid detergent and a clean soft cloth to avoid a build-up of grease occurring. Avoid the use of corrosive chemicals, abrasive cleaning products, hard brushes and steel wool pads. Grease deposits are corrosive which can cause damage to your rangehood.

Note: in areas of high humidity or coastal environments, cleaning should be carried out more frequently.

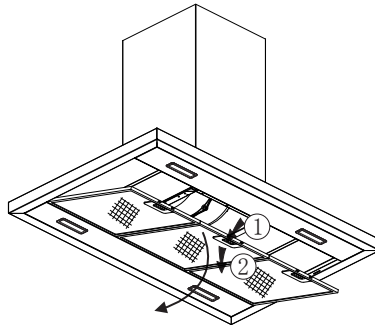
GREASE MESH FILTERS

As needed the aluminium grease filters should be removed and cleaned with hot soapy water or washed separately in a dishwasher.

If washed in a dishwasher, the filter should be placed in an upright position.

After rinsing and drying, replace the filters.

Note: Discolouration of the filters may occur.



INSTALLING GREASE MESH FILTERS

- To install filters for the following four steps:
 1. Angle the filter into the slots at the back of the hood.
 2. Push the button on the handle of the filter.
 3. Release the handle once the filter fits into a resting position.
 4. Repeat to install all filters.

CLEANING AND MAINTENANCE

Carbon filters – for use in recirculation mode

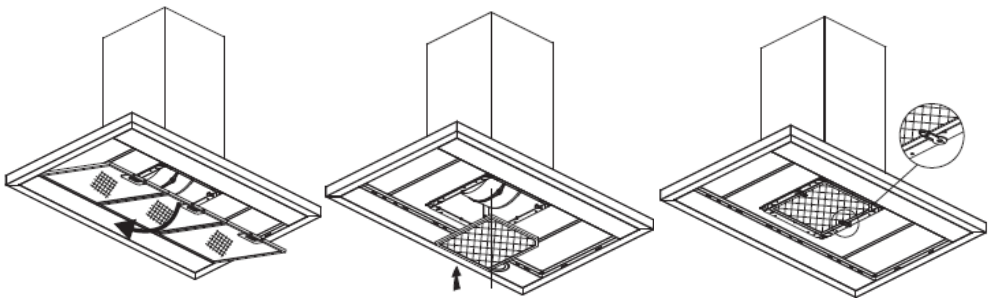
Active carbon filters are disposable items designed to remove grease and odours from cooking vapours before the air is channelled back into the kitchen. The active carbon filters must be replaced periodically to work properly, at least every three months, depending on the frequency with which the rangehood is used.

Note: fully saturated carbon filters can become a barrier to air movement therefore limiting rangehood performance. In the event of fire, grease laden filters could be flammable and therefore regular replacement is recommended.

CARBON FILTER-not supplied

Activated carbon filter can be used to trap odors. Normally the activated carbon filter should be changed every 3 to 6 months according to your cooking habits. The installation procedure of activated carbon filter is as below:

- Remove the mesh filter.
- Insert the carbon filter in the rectangular hole, fitting it over the motor.
- After inserting the front edge of the carbon filter into the slot on the cooker hood. Lower the back edge of the carbon filter, until it clicks into place at the rear of the rectangular hole. Raise the two fixing bars, until they are horizontal over the carbon filter.
- Replace the Mesh filter back to position.
- Apply reverse procedure to uninstall the carbon filter.



Replacing the LED light

Note: to replace the LED lights please refer to your nearest Fisher & Paykel trained and supported service technician, Customer Care, or contact us through our website:
www.fisherpaykel.com

PARTS AND ACCESSORIES

ITEM	REFERENCE NUMBER
LED light	H0530061789
Recirculation carbon filter	H0530061771
T-shape recirculation outlet kit	H0530062211
Aluminium filter	H0530061772
Chimney Extension 900mm	<\$)' \$\$* &&%

MANUFACTURER'S WARRANTY

You automatically receive a 2 year Manufacturer's Warranty with the purchase of this rangehood covering parts and labour for servicing within the country of purchase.

Fisher & Paykel undertakes to:

Repair or, at its option, replace without cost to the owner either for material or labour any part of the product, the serial number of which appears on the product, which is found to be defective within TWO YEARS of the date of purchase.

Note: this Manufacturer's Warranty is an extra benefit and does not affect your legal rights.

This Manufacturer's Warranty DOES NOT cover

- Ⓐ Service calls which are not related to any defect in the product. The cost of a service call will be charged if the problem is not found to be a product fault. For example:
 - ① Correcting the installation of the product.
 - ② Instructing you how to use the product.
 - ③ Replacing house fuses or correcting house wiring or plumbing.
 - ④ Correcting fault(s) caused by the user.
 - ⑤ Noise or vibration that is considered normal, eg drain/fan sounds, refrigeration noises or user warning beeps.
 - ⑥ Correcting damage caused by pests, eg rats, cockroaches, etc.
 - ⑦ Replacement light bulbs.
- Ⓑ Defects caused by factors other than:
 - ① Normal domestic use; or
 - ② Use in accordance with the product's user guide.
- Ⓒ Defects to the product caused by accident, neglect, misuse or 'act of God'.
- Ⓓ The cost of repairs carried out by non-authorized repairers or the cost of correcting such unauthorised repairs.
- Ⓔ Normal recommended maintenance as set out in the product's user guide.
- Ⓕ Repairs when the appliance has been dismantled, repaired or serviced by other than a Fisher & Paykel Authorised Repairer or the selling dealer.
- Ⓖ Pick-up and delivery.
- Ⓗ Transportation or travelling costs involved in the repair when the product is installed outside the Fisher & Paykel Authorised Repairer's normal service area.

Nothing in this Manufacturer's Warranty is intended to, or does, limit any rights you may have under law to recover the costs of inspecting or returning the goods to us.

This product has been designed for use in a normal domestic (residential) environment. This product is not designed for any commercial use (whatsoever). Any commercial use by a customer will affect this product's Manufacturer's Warranty.

Service under this Manufacturer's Warranty must be provided by a Fisher & Paykel Authorised Repairer (refer to the 'Customer Care' section at the back of this book). Such service shall be provided during normal business hours. This Manufacturer's Warranty certificate should be shown when making any claim.

MANUFACTURER'S WARRANTY

For Australian Customers

This Manufacturer's Warranty is an extra benefit and does not affect your legal rights. Our goods come with guarantees that cannot be excluded under the Australian Consumer Law. You are entitled to a replacement or refund for a major failure and for compensation for any other reasonably foreseeable loss or damage. You are also entitled to have the goods repaired or replaced if the goods fail to be of acceptable quality and the failure does not amount to a major failure.

Please keep this user guide in a safe place.

CUSTOMER CARE

Before you call for service or assistance...

Check the things you can do yourself. Refer to the installation instructions and your user guide and check that:

- ① Your product is correctly installed.
- ② You are familiar with its normal operation.

If after checking these points you still need assistance or parts, please refer to your nearest Authorised Service Centre, Customer Care, or contact us through our website www.fisherpaykel.com.

In New Zealand if you need assistance...*

Call your Fisher & Paykel retailer who is trained to provide information on your appliance, or if we can be of any further help, please contact our Customer Care Centre.

Toll Free: 0800 FP CARE or 0800 372 273

Fax: (09) 273 0656

Website: www.fisherpaykel.com

Postal address: Fisher & Paykel Appliances Ltd, PO Box 58550, Botany, Auckland 2163

If you need service...*

Fisher & Paykel has a network of independent Fisher & Paykel Authorised Repairers whose fully trained technicians can carry out any service necessary on your appliance. Your dealer or our Customer Care Centre can recommend a Fisher & Paykel Authorised Repairer in your area.

In Australia if you need assistance...*

Call the Fisher & Paykel Customer Care Centre and talk to one of our Customer Care Consultants.

Toll Free: 1300 650 590

Fax: (07) 3826 9298

Website: www.fisherpaykel.com

Postal address: Fisher & Paykel Appliances Ltd, PO Box 798, Cleveland QLD 4163

If you need service...*

Fisher & Paykel has a network of Fisher & Paykel trained and supported service technicians responsible for servicing only Fisher & Paykel branded appliances. Our Customer Care Centre can recommend a Fisher & Paykel trained and supported service technician in your area.

*If you call, write or contact our website please provide: your name and address, model number, serial number, date of purchase and a complete description of the problem. This information is needed in order to better respond to your request for assistance.

Product details can be found under the aluminium filter.

Registration

Register your product with us so we can provide you with the best service possible. To register your product visit our website: www.fisherpaykel.com

CUSTOMER CARE

Complete and keep for safe reference:

Model _____

Serial No. _____

Purchase Date _____

Purchaser _____

Dealer _____

Suburb _____

Town _____

Country _____

© Fisher & Paykel Appliances 2015. All rights reserved.
The product specifications in this booklet apply to the specific products and models described at the date of issue. Under our policy of continuous product improvement, these specifications may change at any time. You should therefore check with your Dealer to ensure this booklet correctly describes the product currently available.

NZ AU