

HWO60S7MB6, HWO60S7MX6

# Oven, 60cm

7 Function

Haier



HWO60S7MB6



HWO60S7MX6

Height

595mm

Width

595mm

Depth

571mm

Weight (Packaged)

34kg

Weight (Product)

32kg

## FEATURES

- Striking black glass or contrasting stainless steel and black glass design to suit a range of kitchen styles
- 7 functions including Pizza, Pastry and Air Fry
- 70L gross
- 65L useable capacity
- Even convection heating on every shelf
- The sleek black or stainless dials offer simple control, with a mechanical minute timer for convenience.

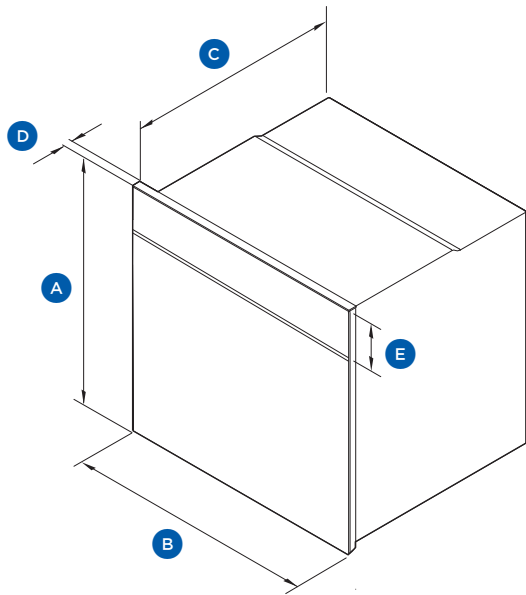
## ACCESSORIES

- x2 wire racks
- Baking tray
- Air fry tray

The models shown in this Specification Guide (SG) may not be available in all markets and are subject to change at any time. Product specifications may vary from those shown. This SG should not be used as installation guidance for any product. Further information is required to safely and correctly install the products featured here. Specific installation guidance will be available with the product on delivery and on our website [haier.com](http://haier.com)

# Product Overview

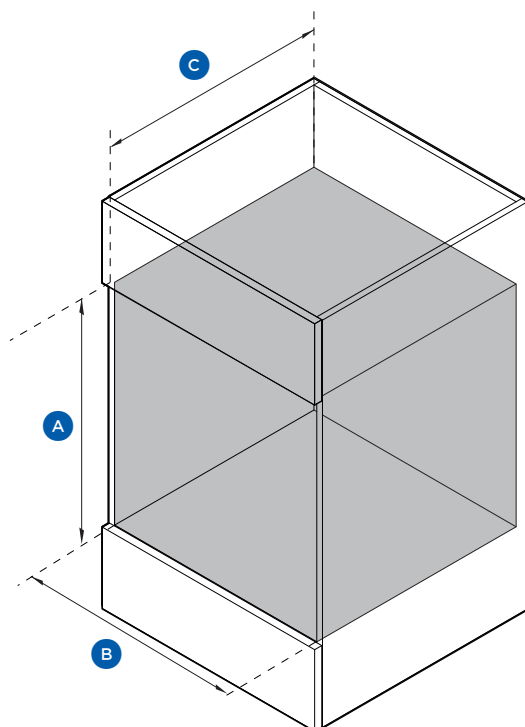
## PRODUCT DIMENSIONS



	mm
<b>A</b> Overall height	595
<b>B</b> Overall width	595
<b>C</b> Chassis depth	549
<b>D</b> Depth of control panel	22
<b>E</b> Control panel height	110

The illustration is indicative only

## CAVITY DIMENSIONS



	mm
<b>A</b> Minimum height of cavity	595
<b>B</b> Minimum width of cavity	560
<b>C</b> Minimum depth of cavity	570

## SERVICES

- Supply 220-240 V, 50 Hz
- Service 11 A
- Connection Hard wired