

ADH071M3ERG

DUCTED INDOOR UNIT - HIGH STATIC PRESSURE



ADH071M3ERG



1UH071M1ERG



**NEW
7.1 KW**



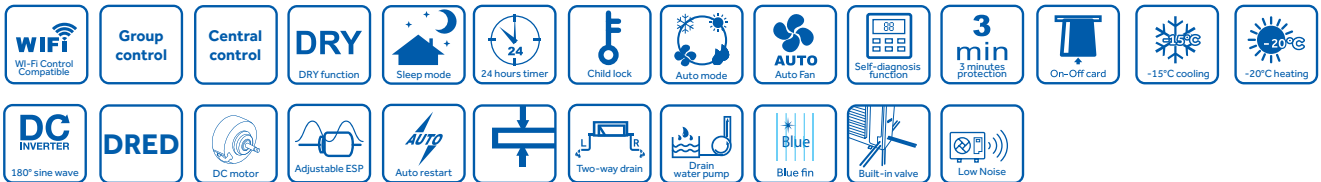
ADH071M3ERG DUCTED



7.1kW



YR-E17
Included

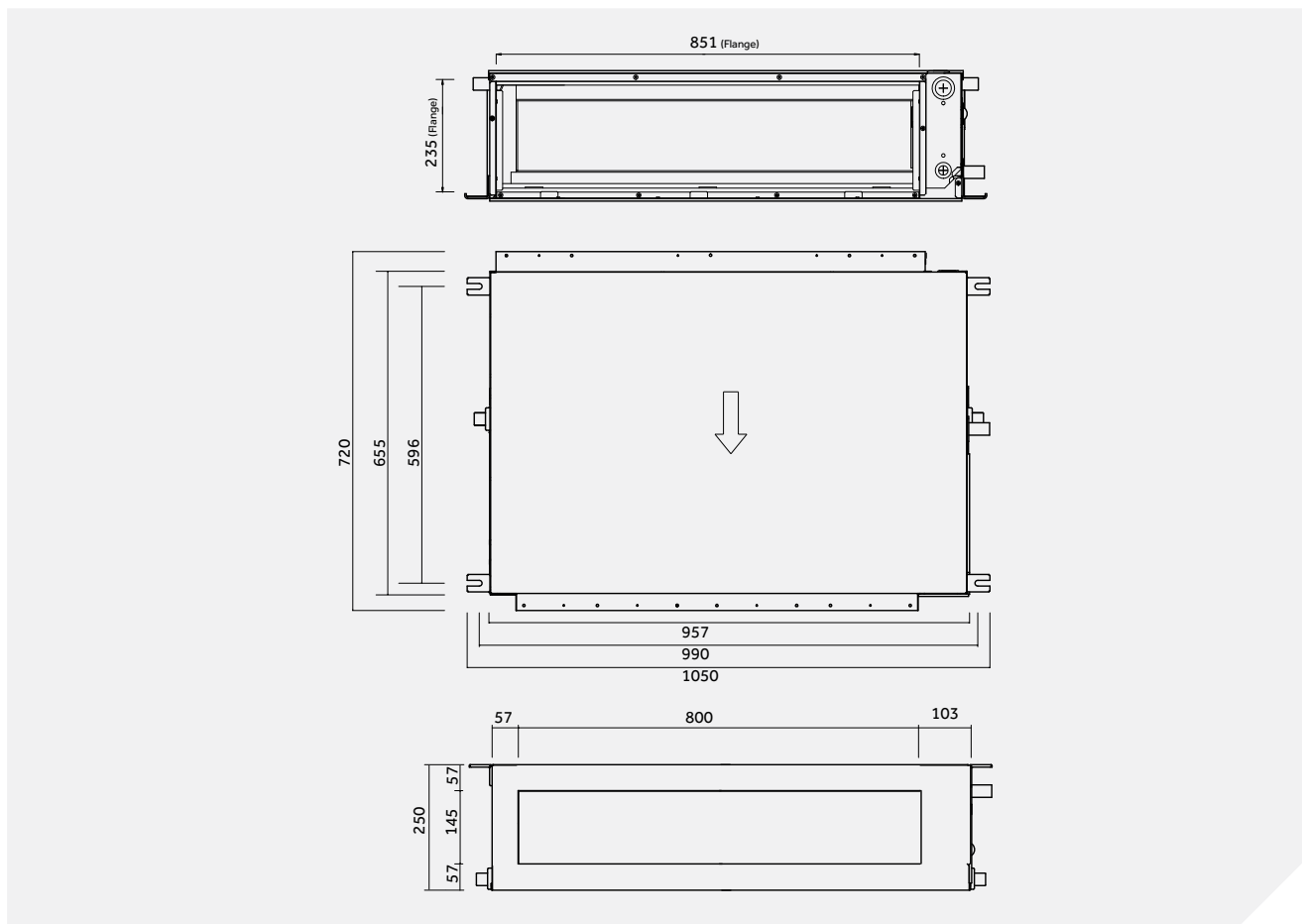


Model		Indoor unit		ADH071M3ERG	
		Outdoor unit		1UH071N1ERG	
Rated performance data	Capacity	Cooling	kW Nom (min-max)	7.1 (2.0-9.0)	
		Heating	kW Nom (min-max)	8.0 (2.0-10.0)	
	Rated power input	Cooling	kW Nom (min-max)	2.03 (0.4-4.0)	
		Heating	kW Nom (min-max)	2.0 (0.4-4.0)	
	EER			3.5	
COP			4.0		
Indoor Unit					
Electrical	Power supply		Ph/V/Hz	1/220-240/50	
Performance	Air flow (H/M/L)		m3/h	1450/1200/950/700	
	External Static Pressure		L/S	402/333/263/194	
	Sound power level (H/M/L)		pa	25-150	
	Sound pressure level (H/M/L)		dB(A)	58	
Installation	External dimensions (WxDxH)		mm	957x655x250	
	Shipping dimensions (WxDxH)		mm	1170x860x340	
	Net/Shipping weight		kg	31.2/36.8	
	Supply air Flange		mm	145x800	
	Return Air Flange		mm	235x851	
	Wired Controller			Standard	YR-E17
				Optional	YR-E16A (7 day time clock)
Outdoor Unit					
Electrical	Power supply		Ph/V/Hz	1/220-240/50	
Performance	Air flow (H)		m3/h	3200	
	Sound power level		L/S	890	
	Sound pressure level		dB(A)	64	
			dB(A)	47	
Installation	External dimensions (HxWxD)		mm	965x950x370	
	Shipping dimensions (HxWxD)		mm	1095x1050x450	
	Net/Shipping weight		kg	80/92	
	Compressor type			Twin rotary	
	Refrigerant type			R410A	
	Refrigerant liquid pipe		mm	9.52 (3/8)	
	Refrigerant gas pipe		mm	15.88 (5/8)	
	Max pipe length		m	50	
	Max height between I.U.&O.U		m	30	
	Refrigerant pre-charged		kg	2.5	
	Pre-charged line length		m	20	
	Additional gas charge		g/m	45	
Working temp.	Cooling (Min-Max)		°C	-15 to +50	
	Heating (Min-Max)		°C	-20 to +24	

DRAWINGS

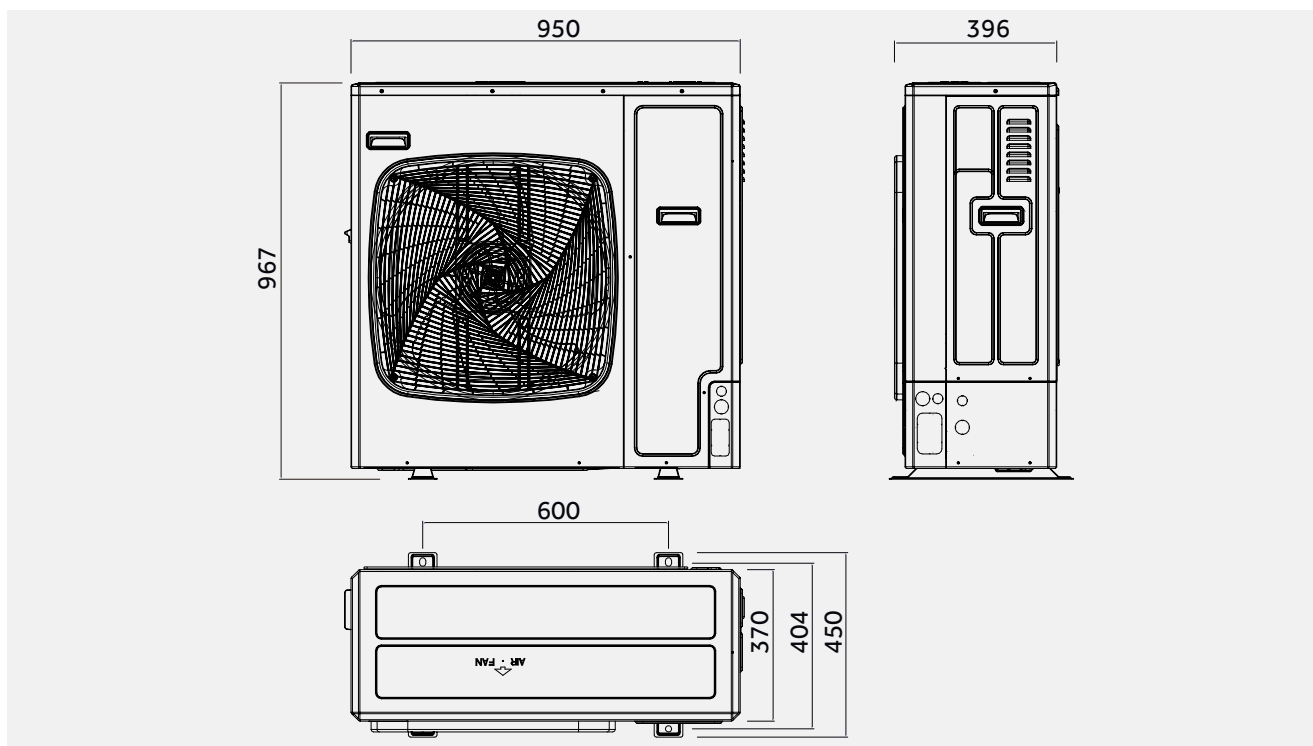
INDOOR UNITS

ADH071M3ERG



OUTDOOR UNITS

1UH071N1ERG





For Haier Appliances

Australia 1300 729 948 | haier.com.au

New Zealand 0800 424 372 | haier.co.nz

Haier

Important notice of Disclosure: Copyright © Fisher & Paykel Appliances 2017. All rights reserved.

The product dimensions and specifications in this brochure apply to the specific products and models described at the date of issue. Under our policy of continuous product improvement, these dimensions and specifications may change at any time. You should therefore check with your dealer or Haier's Customer Care Centre to ensure this flyer correctly describes the products currently available.

Fisher & Paykel Australia Pty Ltd, Level 1, 1 Eden Park Drive, Macquarie Park, NSW 2113.
Phone Customer Care: 1300 729 948 Email: customer.care@haier.com.au

Fisher & Paykel Appliances Ltd, 78 Springs Road, East Tamaki, Auckland 2013.
Phone Customer Care: 0800 424 372. Email: customer.care@haier.co.nz