

Haier

INSTALLATION INSTRUCTIONS USER GUIDE



Vented clothes dryer

Model: HDV60E1 and HDV50E1

CONTENTS

SAFETY AND WARNINGS	2
INSTALLATION INSTRUCTIONS	5
CONTROL PANEL	12
DRYING CYCLES	13
USING YOUR DRYER	14
CLEANING YOUR DRYER	16
BEFORE YOU CALL FOR SERVICE	17
TROUBLESHOOTING	18

IMPORTANT! **SAVE THESE INSTRUCTIONS**

Please read these instructions carefully before using your tumble dryer. The instructions contain important information which will help you get the best out of the device and ensure safe and proper installation, use and maintenance.

SAFETY AND WARNINGS

Meaning of symbols on the dryer




Warning: Risk of fire/Flammable materials



Read the instructions

WARNING!

	<p>Fire Hazard</p> <ul style="list-style-type: none">■ Only dry fabrics that have been washed with water.■ Do not use heat to dry articles containing foam rubber or similarly textured rubber-like materials, dry on 'Airing'.■ Do not stop a tumble clothes dryer before the end of the drying unless all items are removed and spread out, in order to dissipate the heat.■ A clothes dryer produces combustible lint; the lint filter must be cleaned before each drying cycle.■ Failure to follow the warnings outlined in these user instructions can cause a fire hazard.■ Failure to follow these instructions can result in death or personal injury.
--	--

IMPORTANT SAFETY INSTRUCTIONS

WARNING! When using this appliance always exercise basic safety precautions including the following:

Dryer use

- The tumble dryer is intended only for drying textile material washed in water.
- Undergarments that contain metal reinforcements should not be placed in the dryer. Damage to the dryer can result if the metal reinforcements come loose during drying. If you wish to dry these items use a drying rack or place in a garment bag.
- Check and remove all objects from pockets, eg lighters and matches.
- Never dry rubber articles, or any plastic items or film, eg plastic lined tablecloths and baby bibs.
- Clothes should go through the cool down/airing phase in the final part of the cycle. This ensures items are left at a temperature where they will not be damaged. If for any reason the dryer is stopped before the cycle has finished, dry clothes should be removed immediately and not left in the dryer. Clothes should be quickly spread out flat to cool so heat can dissipate, not left bunched up, eg in a clothes basket.
- This dryer has been designed for domestic use only, not for commercial applications, such as massage/beauty clinics where there may be increased lint accumulation or flammable materials in the atmosphere or load.

SAFETY AND WARNINGS

- Do not operate this product without the lint filter in place or allow lint to accumulate in or around the dryer.
- This dryer is not intended for use by persons (including children) with reduced physical, sensory or mental capabilities, or lack of experience and knowledge, unless given supervision or instruction concerning the use of the dryer by a person responsible for their safety.
- Children should be supervised to ensure they do not play with the dryer.
- Unplug the machine from the power supply when it is not in use.
- Do not swing on or put weight on the door.
- Your dryer is designed to stop operating in the event of power outage. When power is resumed, the machine will remain off until the 'Power' button is pressed. To restart the dryer, press 'Power', select your drying cycle and press 'Start / Pause'.
- Never attempt to repair the dryer yourself.
- The only user-removable parts of the dryer are the lint filter. No other parts are designed to be removed by anyone other than a Haier Repairer.
- For problems that cannot be solved from information in this User Guide, turn off and unplug your dryer and contact a Haier Repairer.
- When disposing of the dryer, it is recommended that the door is removed to avoid children getting trapped inside, and that the electrical cable is cut off close to the dryer.

IMPORTANT!

We do not recommend the use of extension cords or portable electrical outlet devices for safety reasons.

Lint

- Accumulated lint in the dryer can become a fire hazard; it also reduces the efficiency of the dryer by causing longer drying times and increased power consumption.
- Clean the lint filter before every load.
- Ensure the area around the dryer is clear of lint.
- At regular intervals have the interior of the dryer cleaned of any accumulated lint. This must be done by a Haier trained and supported service technician. This must be done when the dryer installation is changed from free standing or inverted, or vice versa.
- The dryer exhaust ducting should be inspected and cleaned periodically to remove accumulated lint.

SAFETY AND WARNINGS

Spontaneous combustion

IMPORTANT!

To reduce the risk of fire in a tumble dryer the following should be observed:

- Items that have been spotted or soaked with vegetable oil or cooking oil are a fire hazard and should not be placed in a tumble dryer.
- Oil-affected items can ignite spontaneously, especially when exposed to heat sources such as a tumble dryer. The items become warm causing an oxidation reaction in the oil. This oxidation creates heat. If the heat cannot escape the items can become hot enough to catch fire. Piling, stacking or storing oil-affected items can prevent heat from escaping creating a fire hazard.
- If it is unavoidable that fabrics that contain vegetable oil, cooking oil or have been contaminated by hair care products be placed in a tumble dryer, they should first be washed in hot water with extra detergent – this will reduce, but not eliminate the fire hazard. The cool down cycle of the dryer should be used to reduce the temperature of these items. They should not be removed from the tumble dryer and piled or stacked while hot.
- Items that have previously been cleaned in, washed in, soaked in or spotted with flammable liquids or solids, eg petrol/gasoline, kerosene, dry cleaning solvents, vegetable or cooking oil, acetone, denatured alcohol, some brands of spot removers, turpentine, waxes and wax removers or other flammable or explosive substances should not be placed in a tumble dryer.
- Do not dry unwashed items in the tumble dryer.
- The dryer is not to be used if industrial chemicals have been used for cleaning.
- Fabric Softeners or similar products should not be used in a tumble dryer to eliminate the effects of static electricity, unless this practice is specifically recommended by the manufacturer of the fabric softener product.
- Rubber backed articles, foam rubber (latex foam), clothes or pillows fitted with foam rubber pads, fibreglass, shoes containing rubber, shower caps, baby's waterproof napkin covers and waterproof textiles should not be dried in the dryer. These materials can, when heated, produce fire by spontaneous combustion.
- The maximum mass of dry textiles depends on your model, The **HDV60E1** model is rated at 6kg. The **HDV50E1** model is rated at 5kg. Do not overload your dryer.

INSTALLATION INSTRUCTIONS

Please read and follow the 'Safety and warnings' and 'Installation instructions' sections carefully before using your dryer.

Unpacking

- 1 Remove all the packaging.
- 2 Tilt the dryer backwards and 'walk' it off the base one foot at a time.
- 3 Remove all packaging and accessories from inside the drum and ensure you remove protective covers from the door and console.

IMPORTANT!

- Ensure packaging materials are kept out of reach of children.
- Please help protect the environment and dispose of the packaging from around the dryer in an environmentally friendly manner.

Accessories

Please refer to your model number and find the following accessories inside the drum:

HDV50E1

- 1 x Installation instructions and user guide
- 1 x Wall mounting kit
- 2 x Stacking bracket
- 1 x Inverted panel
- 1 x Warranty card

HDV60E1

- 1 x Installation instructions and user guide
- 1 x Wall mounting kit
- 2 x Stacking bracket
- 1 x Hose connector
- 1 x Flexible hose
- 1 x Flexible hose clip
- 1 x Inverted panel
- 1 x Warranty card

Location

IMPORTANT!

- The dryer must be installed in a well-ventilated, dust-free environment.
- The dryer must not be installed on any textured floor coverings (eg carpet, rugs).
- Do not install the dryer behind a lockable door, sliding door, or behind a door where the hinge is on the opposite side to that of the dryer in such a way that the full opening of the door is inhibited. Ensure the dryer door can always be opened fully.
- Do not install the dryer outside, in a damp place, where there is a risk of freezing, where it may be rained on, in direct sunlight or close to a source of heat.
- Do not place your dryer on top of its power cable.



INSTALLATION INSTRUCTIONS

Venting

Correct installation is very important for all dryers to ensure maximum efficiency and safety.

IMPORTANT!

Never run the dryer unless the airflow system is free from obstruction.

There must be adequate ventilation to avoid the back flow of gases into the room from appliances burning fuels, including open fires, when operating the dryer.

Exhaust air must not be discharged into a flue which is used for exhausting fumes from appliances burning gas or other fuels.

External venting

Your dryer has been designed to be vented outside to provide the following advantages:

- Ensures optimum efficiency by preventing recirculation of moist air.
- Eliminates condensation on walls and ceilings.
- Reduces the chance of lint being sucked into the dryer.
- Prevents lint and other fine particles being blown into the room.

The external venting system should be:

- Made from 100mm diameter flexible plastic pipe where the vent system goes through the wall.
- Exhausted outside and not into another confined space, eg the roof cavity of a house.
- Angled to avoid condensation and rain water running back into the dryer.
- The vent system should be a maximum of two metres with no more than three 90° bends.

Internal venting

The dryer is set up in the factory for front venting. If front venting is used there must be adequate ventilation to avoid the build up of moisture in the room, which can affect the performance of the dryer. Venting must comply with local by-laws and regulations.

INSTALLATION INSTRUCTIONS

Free standing

The dryer stands on the floor and can easily be moved into position.

- 1 Move the dryer into the desired position. Do not lift the dryer by the top panel.
- 2 Have a minimum clearance on all sides of at least 20mm.
- 3 Have a minimum clearance at the rear of 75mm. The spacers from the accessory wall mounting kit can be used to set this distance.
- 4 Install the dryer on a stable and level floor.



IMPORTANT!

Do not put the heavy loads on the top of your dryer, eg the wet clothes that were taken out of the washing machine.

Inverted wall mounting

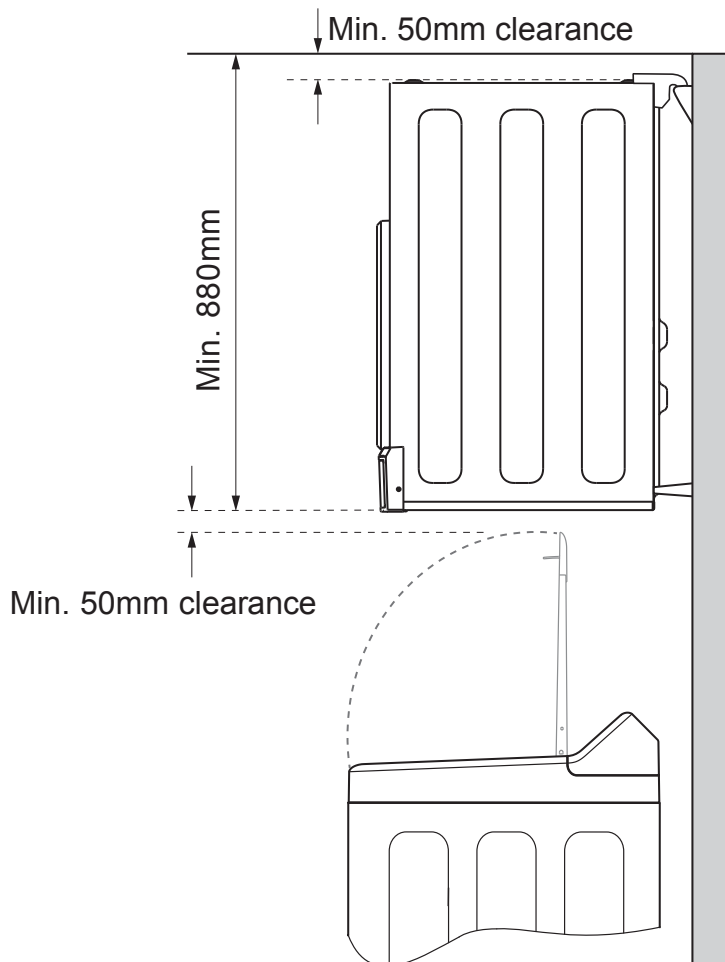
Your dryer has been designed to be inverted and mounted on the wall above a washer or tub. A wall mounting kit must be used. Inverting allows access to the dryer control panel.

Tools and parts required:

- Drill and 3mm bit
- Phillips head screwdriver

Wall mounting kit includes:

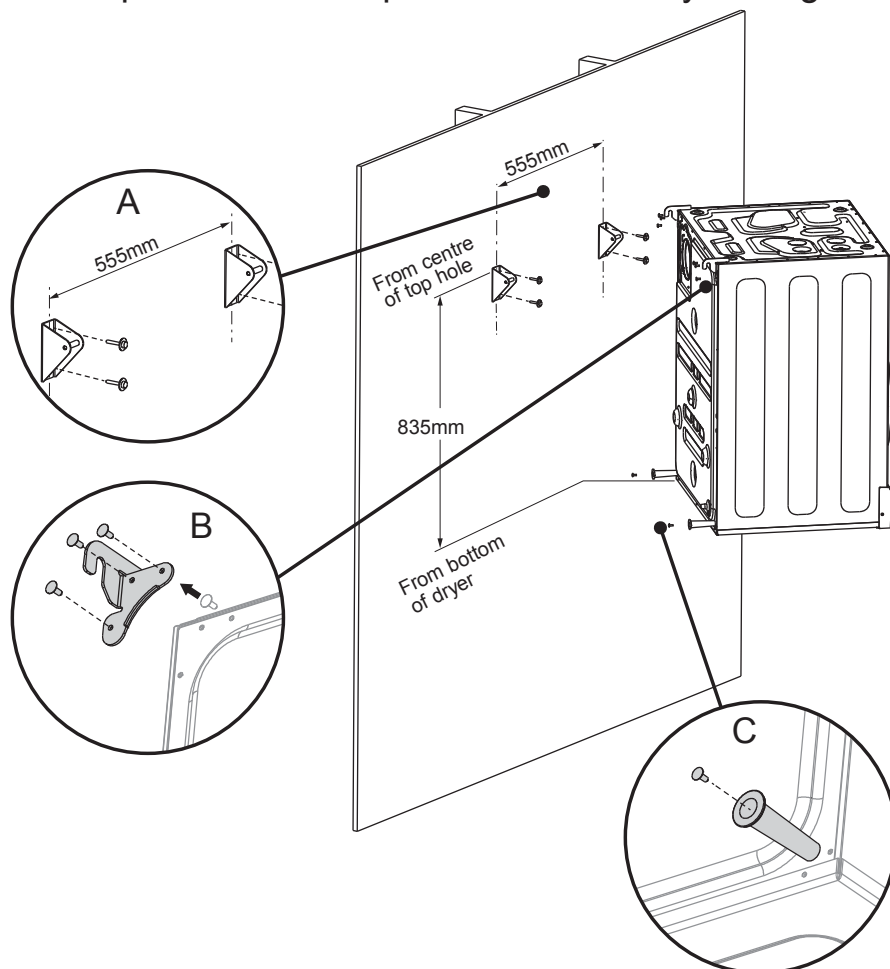
- 2 x Plastic spacers
- 2 x Wall hanging brackets
- 2 x Hanging hooks
- 4 x Wood screws
- 6 x Screws for hanging hooks and plastic spacers



INSTALLATION INSTRUCTIONS

Mounting dryer on wall

- 1 Determine the position of the dryer on the wall and mark the bracket position. A minimum of 50mm is needed between the top of the dryer and the ceiling for ease of installation. If mounting above a washing machine, allow sufficient room to open the lid of the washer.
- 2 Fix the wall hanging brackets to the wall securely, ie into the stud. If the studs are too far apart, fit a timber slat to the studs and then mount the brackets to the slat. If a slat is used install a second slat behind the spacers to ensure the dryer is horizontal. The distance between the centre of each bracket is 555mm (A).
- 3 To install the hooks onto the dryer, remove one screw from each side (B), reuse these screws with two more (each side) from the kit to fasten the hooks in place.
- 4 Remove plastic plugs from the back of the dryer and screw the spacers provided in place (C).
- 5 With assistance, mount the dryer on the wall brackets.
- 6 The inverted control panel is supplied in the accessories with your dryer. Fit inverted control panel over the existing panel.
- 7 Adjust the display to read correctly on an inverted panel:
 - Press and hold the 'Key Lock' and 'Option' buttons for three seconds.
 - The dryer will beep to indicate you have made a correct selection, and the display will change after three seconds.
 - Repeat the same steps to return the panel to the factory setting.



INSTALLATION INSTRUCTIONS

Stacking installation

Your dryer has been designed to be able to be stacked on the top of a Haier front load washing machine, ensure the washing machine is the same width as your dryer.

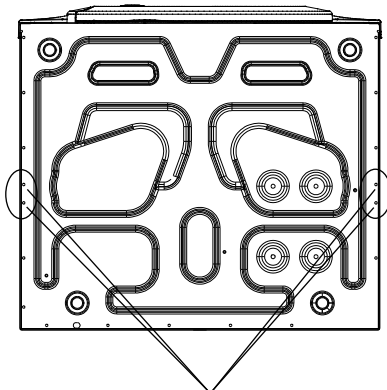
Tools and parts required:

- Drill and 2.9mm bit
- Phillips head screwdriver

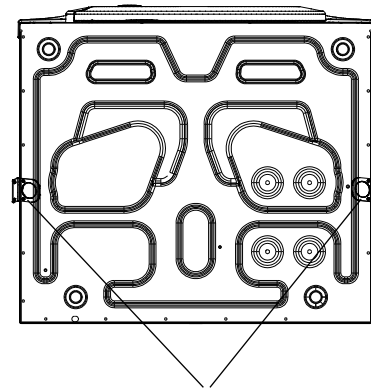
Stacking bracket includes:

- 2 x Stacking bracket

- 1 Remove 4 screws at two sides of bottom panel, then install the stacking bracket.



4 Screws

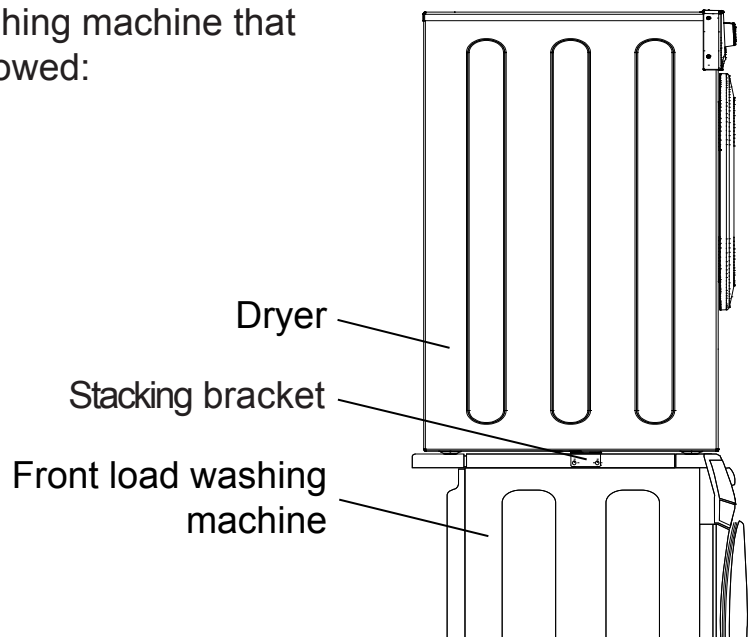


Stacking bracket

- 2 Install your dryer with stacking bracket on the top of the front load washing machine. Drill two holes on both sides of top panel of washing machine with 2.9mm diameter drill. Detailed drill position as shown on the stacking bracket. Only use the screws supplied in the stacking bracket. Fix the stacking bracket on the top panel of washing machine.

- The models of Haier front load washing machine that can be stacked installation are followed:

HWF75AW1
HWF80BW1
HWF85AW1
HWM75-B12266
HWM85-B14266
HWM75-1279
HWM85-1479
HWM85-1482
HWM70-1201
HWM80-1401
HW70-1203D
HWM80-1403D



INSTALLATION INSTRUCTIONS

Before a rear venting option is installed the dryer must be changed from the front venting factory setup. Remove the outlet grille from the front left-hand side and replace with the outlet cover from the rear left-hand side. These covers should be gently pried at the sides to prevent damage.

Internal venting

Front venting is the only option for internal venting. The dryer is set up for front venting when it leaves the factory.

Note: where possible all efforts should be made to vent the dryer externally to avoid moisture build up around the dryer.

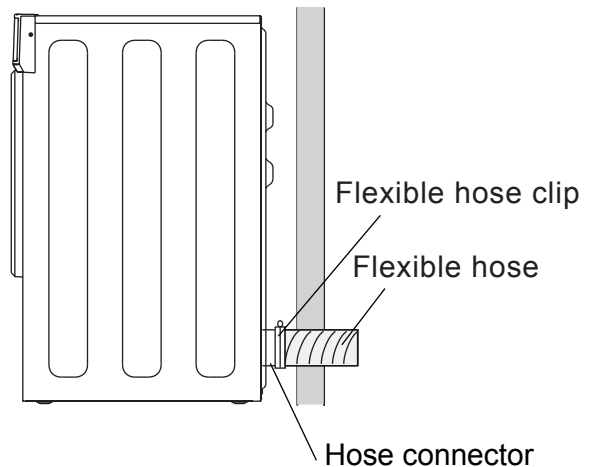
External venting

The dryer can be vented directly through the wall with a flexible hose and a hose connector (may have to be purchased separately).

Tools and parts required:

- Slotted screwdriver
- 1 x Hose connector
- 1 x Flexible hose
- 1 x Flexible hose clip

Note: Parts required for external venting. These parts/kits need to be purchased separately. Please contact your retailer or Customer Care.



- Hose Connector - Part # H00214900016600
- Flexible Hose - Part # H0020200078
- Flexible Hose Clip - Part # H0030100438

Alternative Vent kits

- Dryer vent through wall - Part # DVKFPW
- Dryer vent kit long - Part # DVKFPL
- Dryer vent kit short - Part # DVKFPS

Connect the narrow end of the connector to the dryer duct pipe mouth at the back of the dryer. Then connect the flexible hose to the wide end of the connector. Use the clip to fasten connection point between the flexible hose and connector (fasten clip with a screwdriver). Extend the flexible hose through the duct hole, make sure the flexible hose is not twisted to allow the air to be vented outside.

Note: The vent system should be a maximum of two metres with no more than three 90° bends.

INSTALLATION INSTRUCTIONS

Electrical connection

- 1 This appliance must be connected to a 220V-240V, 50Hz, sinusoidal, 10A electrical supply.
 - 2 Uncoil the power cord, remove and discard the plastic pin cover and plug into a power socket.
 - 3 Connect the appliance to an earthed outlet protected by a fuse of suitable capacity.
- Check the power cord for damage and make sure it is not squashed or twisted when installing the dryer.
 - Always remove the power cord from the power socket by the plug, not by the cord.

IMPORTANT!

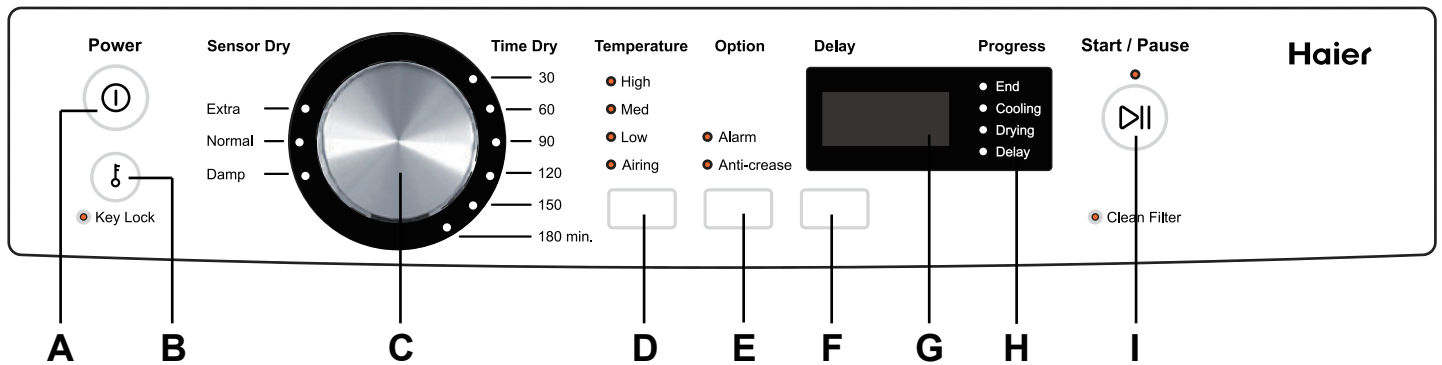
- Do not touch or operate the dryer with wet hands or with bare feet.
- A damaged power cord must be replaced by a Haier trained and supported service technician. The appliance must not be operated until it is repaired, as there is risk of electric shock.
- Do not operate this dryer if it has been damaged during transport. Contact your Haier trained and supported service technician.

Product specifications

	HDV60E1	HDV50E1
Capacity (kg)*	6	5
DIMENSIONS (mm)		
Width	600	600
Depth	585	585
Height	830	830
ELECTRICAL		
Volts	220-240	220-240
Hz	50	50
Amps (maximum)	10	10
Rated Power (W)	1750	1750
Waterproof degree	IPX4	IPX4

* Capacity refers to the maximum dry weight of items the dryer can dry at any one time. Rated capacity is determined by a country's performance standards, so similar dryers may have different capacities for different markets.

CONTROL PANEL



- A** Press 'Power' button to activate your dryer. Press it again to switch the dryer off.
- B** 'Key Lock' can be used to lock the buttons on your dryer. This will avoid accidental button presses.
- C** There are two drying settings with your dryer, Sensor Dry and Time Dry. The default cycle is "Normal – Sensor Dry".
- D** Press the 'Temperature' button until the light next to your desired drying temperature is illuminated.
- E** The 'Alarm' and 'Anti-crease' Option automatically defaults for all cycles. This means a series of beeps will sound to alert at the end of a cycle, and the drum will rotate periodically and cool air will be circulated through the load to minimise wrinkling and creasing.
- F** The 'Delay' option enables you to delay the start of the drying cycle. If you have programmed a 'Delay' time, the delay light is on.
- G** The screen displays the remaining time for a program and delay time.
- H** The progress lights indicate what part of the cycle the dryer is currently on.
- I** Press the 'Start / Pause' button to start or pause the cycle.

DRYING CYCLES

Sensor dry

Your dryer has three dryness levels from 'Damp' through to 'Extra'. Choose the dryness level to suit your load depending on how dry you wish for your load to be. The default temperature for sensor dry cycle is 'High' temperature. You can select the most appropriate temperature for each particular load to ensure you get the best result.

CYCLE	TEMPERATURE	DESCRIPTION	MAX. LOAD SIZE (KG)	
			HDV60E1	HDV50E1
Sensor Dry*	High	High heat cycle for rapid drying of everyday clothing, eg cotton fabrics, t-shirts, sheets, trousers.	6	5
	Med	Cooler cycle for carefully drying delicate fabrics, eg synthetics fabrics.	4	4
	Low	A low heat cycle for the special care of heat sensitive fabrics. eg synthetics fabrics, woolen, silk products.	4	4

* 'Extra', 'High' dry temperature is the recommended cycle of HDV60E1 model for everyday cotton items.
'Normal', 'High' dry temperature is the recommended cycle of HDV50E1 model for everyday cotton items.

Time dry

It is suitable for some fabrics that you wish to dry for a specific time period. You can select 30, 60, 90, 120, 150 and 180 minute drying times.

Customising dryer cycles

After using your dryer a few times you may discover there are some drying options you prefer for some cycles. You can programme your dryer to remember the drying options you prefer for each drying cycle. For instance, you may want to set the 'Normal' cycle to a lower drying temperature.

To customise a cycle:

- 1 Turn on your dryer.
- 2 Select the cycle you wish to customise.
- 3 Press and hold any of the drying options buttons for 3 seconds. The lights will flash and the display will show **SEt** to indicate the dryer is in cycle adjustment mode.
- 4 Select the 'Temperature' and 'Option' function options you prefer by pressing the relevant option button.
- 5 Press and hold 'Key Lock' for 3 seconds to save the selected setting. Your dryer will then beep to indicate your customised cycle has been saved.

Factory reset

Your dryer will now be reset to the default settings it left the factory with: Selection the '30min.' cycle, press and hold the 'Key Lock' and 'Delay' buttons together for three seconds. You can reset your dryer to the default settings.

USING YOUR DRYER

IMPORTANT!

- Check the lint filter is clean before every load. Ensure it is replaced correctly before using your dryer.
- The lint filter indicator light will be on at the beginning of every cycle as a reminder to check the lint filter.
- Sort and load items into the dryer drum, ensuring no items are in the way of the door.
- Close the door.
- Ensure your dryer connect to an appropriate power supply(220V-240V, 50Hz).

Preparing your load

- Check whether the loads have been spun by washing machine.
- Check pockets for items that could damage your clothes or get caught in the dryer.
- Close zippers, hooks, fastenings (ie fasten the openings of duvet/doona covers), and remove loose bra wires. These may damage both your dryer and your clothes.
- Make sure that the laundry is suitable for drying in the tumble dryer. You can find some information on the laundry labels.

Loading the dryer

Garments need to be loaded correctly to minimise creasing and wrinkling, and to ensure the load is dried evenly. Make sure there is plenty of room for the garments to tumble freely while drying.

To reduce tangling and creasing

- Load items individually.
- Ensure duvet/doona covers are fastened before placing in the dryer.
- Shake clothes out and load individually to help items dry evenly.
- Launder permanent press garments separately, eg business shirts.
- Allow enough room in the dryer for clothes to tumble freely.
- Hang garments as soon as the drying cycle is complete to reduce the need for ironing.

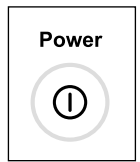
IMPORTANT!

- **Do not overload your dryer, as this may damage your dryer and clothes.**
- **Never put dripping wet clothes in or on top of the dryer as excess water may cause an electrical hazard.**
- **Do not place an item in your dryer unless the care label specifically states it is safe to do so.**
- **Always follow the instructions on the care label.**
- **Do not dry curtains in your dryer. Sunlight makes them brittle and they may disintegrate during drying.**

USING YOUR DRYER

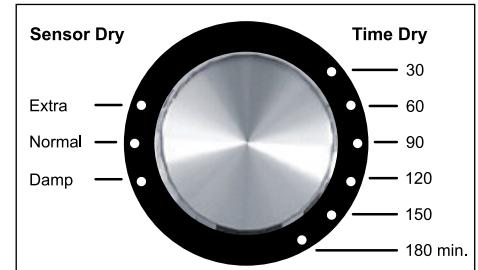
Switch on the power supply

Press the 'Power' button to power on your dryer.



Selecting program

Select your desired drying cycle by turning the control dial. As you rotate the dial, the drying cycle selected will illuminate, along with the default settings for that cycle on the right side of the control panel.



Selecting temperature option

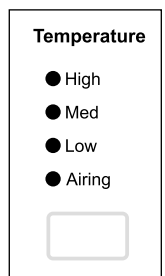
There are four drying temperatures you can choose from:

High: Clothes temperatures reach up to 80°C.

Med: Clothes temperatures reach up to 70°C.

Low: Clothes temperatures reach up to 45°C.

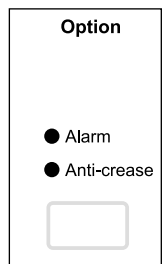
Airing: Cool air is blown through the dryer for the period selected.



Selecting additional option

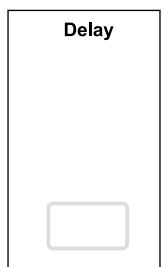
'Alarm' means a series of beeps will sound at the end of a cycle, to alert you that the dryer has finished.

'Anti-crease' operates up to 1 hour after your drying cycle has ended with cool air to minimise wrinkling and creasing.



Selecting delay start time

The 'Delay' option enables you to delay the start of the drying cycle from between 5 minutes and 12 hours. Times you can select are 5 min, 15 min, 30 min, 1 hour, then hourly up to 12 hours. This can be useful to time your drying to finish when you arrive home from work, or to start when power rates are lower.

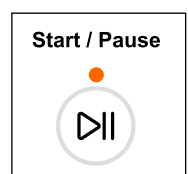


IMPORTANT!

We suggest that you avoid using 'Delay' for non-colourfast items as this may cause dye run to occur.

Start the dryer

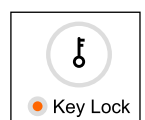
Press 'Start / Pause' button to start your dryer.



Key Lock

To turn keylock mode on or off, at any time when the dryer is powered on: Press and hold the 'Key Lock' button for 2 seconds.

Note: when activated, the light under the 'Key Lock' button is illuminated.



CLEANING YOUR DRYER

IMPORTANT!

- If you wish to stop the dryer before the cycle has finished you **MUST** remove the clothes **IMMEDIATELY** and spread them out to cool. **DO NOT** leave the clothes in the dryer or bunched up in a clothes basket. Take extreme care as the drum and the load items may be extremely hot.
- Failure to follow the advice in this guide may result in damage to your garments and your expectations of drying performance may not be met.
- Do not dry shoes or other rubber items in you dryer.

When you have finished using your dryer

- Unplug the dryer from the power socket.
- Wipe around the door to remove any remaining condensation and/or foreign matter.
- Clear the lint filter.

Cleaning your dryer

Before you start cleaning your dryer, ensure that it is disconnected from the power (ie unplug the dryer from the power socket).

Cleaning the control panel and outer surfaces of the dryer

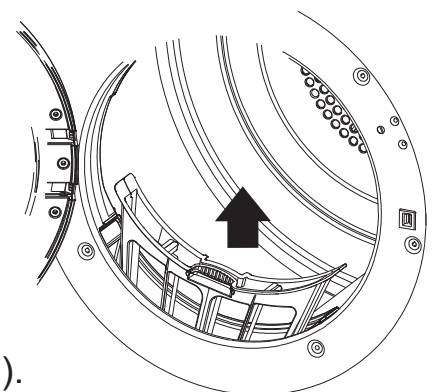
Use a soft damp cloth to wipe all surfaces, then wipe dry. Avoid using chemical or scouring cleaners, as these will damage the paint and plastic surfaces of your dryer.

Cleaning the inside of your dryer

It is important that you occasionally clean the inside of your dryer. If the drum has any residual dirt or lint stuck to it, remove this and wipe it clean with a damp cloth. Do not leave any metal objects in the drum, as these may cause rust.

Cleaning the lint filter

- Lint is generally formed during wearing and washing. Fibres (ie lint) released from clothes during the drying cycle are collected in the lint filter.
- It is important to clean the lint filter after every load, as the lint produced in the drying process can become a fire hazard if it is allowed to accumulate in or around your dryer.
- The lint filter is located in the door opening (at the bottom).
- There is a warning light that will flash at the beginning of every cycle to remind you to clean the filter and will stop once the 'Start / Pause' button is pressed. Lint becomes a fire hazard if left to build up, and will reduce the efficiency of your dryer.



Lint filter

BEFORE YOU CALL FOR SERVICE

To clean the filter:

- 1 Open the dryer door.
- 2 Remove the lint filter by pulling it up and out of the filter slot.
- 3 Open it out and wipe the surface clean with your hand.
- 4 Close the lint filter and place it back in the opening. Ensure the filter is fitted correctly back in place before operating the dryer.

IMPORTANT!

If the lint filter becomes damaged, contact your Haier Repairer to arrange for a replacement filter. Do not operate your dryer with a damaged lint filter or without the filter in place, as this will cause damage to your dryer.

Your dryer is capable of diagnosing a number of its own problems. It will sound a continuous series of beeps and display a code when it has a problem that you can correct yourself.

User warnings

PROBLEM	DISPLAYED AS	WHAT TO DO
The door is not closed	<i>door</i> <i>OPEN</i>	Close the door fully and press 'Start / Pause'. Try opening and closing the door again. Reposition the load, make sure the load is correctly in the drum and that protruding items are not stopping the door from closing.
Dryer has been paused	<i>PAUS</i>	Press the 'Start / Pause' to resume the cycle.

Fault codes

When a continuous series of beeps is sounded, all the lights turn off on the control panel and a number appears on the display, a fault has occurred. The fault code will be displayed as *Err* followed by a number on the digital display. Record the fault code and call your Haier Repairer to arrange service.

If a fault code is being displayed, you can still turn your dryer off by pressing 'Power' button.

TROUBLESHOOTING

The following is a list of problems you may encounter when using this appliance and some suggestions that may help to correct the problem. If you still have problems, please contact your Haier Repairer.

PROBLEM	POSSIBLE CAUSES	WHAT TO DO
Pressing 'Power' does not turn on the dryer.	Fault with household power supply.	Try plugging in and turning on another electrical appliance.
Pressing 'Start / Pause' does not start the drying cycle.	Dryer could be displaying a user warning or fault code.	Refer to page 17.
	'Delay' function is set.	Refer to page 15 for more information.
Dryer keeps stopping and starting.	The 'Anti-crease' option has been selected.	Refer to page 15 for more information.
Dryer stops working mid-cycle.	Power failure.	Press 'Power' and restart the desired cycle.
	Dryer has been paused.	Press the 'Start / Pause' button to restart the cycle.
	Dryer door is open.	Ensure the door is firmly shut.
Dryer is taking too long/results were not satisfactory.	Drying cycle selected not appropriate for the load.	Select an appropriate cycle for the load. Refer to pages 13, 14 and 15.
	Selected drying temp, not appropriate for the load.	Select a higher drying temp. Refer to page 15.
	Dryer overloaded for the cycle.	Some cycles have a lower max. load size. Refer to page 13. Try dividing the load in half and dry half at a time.
	Lint filter is blocked.	Clean the lint filter.
	Load overly wet at the start of cycle.	Remove more water from the load before placing it in the dryer, eg select a faster spin on your washer, a speed appropriate for your load.
Clothes getting too hot or damaged.	Cycle selected not appropriate for the load.	Ensure the cycle selected is appropriate for items in the load. Refer to pages 13 and 15.
	Items removed from dryer before the end of cycle cool down had finished.	Removing items before cool down may damage clothing if it is not spread out and exposed to cooler air once removed from the dryer.

TROUBLESHOOTING

PROBLEM	POSSIBLE CAUSES	WHAT TO DO
Fault code warning	Dryer has a fault.	Refer to page 17.
Noises.	Dryer is overloaded.	Remove some items from the dryer.
	Dryer has a fault.	Continuous beeping or a musical series of beeps with a message displayed on digital display. Refer to page 17.
	Beeps signalling the end of a drying cycle.	End of cycle beeps can be turned off. Refer to page 17.
Vibration.	Dryer is not installed on a stable surface.	Ensure the dryer is installed on a flat, stable surface. Refer to page 7.
	Dryer is overloaded.	Remove some items from the dryer.
Creasing.	Dryer is overloaded.	Remove some items from the dryer.
	'Temperature' selected too hot for load type.	Try selecting a lower 'Temperature'.
	'Anti-crease' option not selected.	Select the 'Anti-crease' option to rotate the load at the end of the drying cycle. Refer to page 15.
Dye transfer.	White/light and coloured items not separated before drying.	Remember to separate white/light and coloured items before placing them in the dryer.
	Wet items left sitting in the dryer for long periods of time before drying.	Do not leave wet items sitting in the dryer for long periods of time before drying, if they are prone to colour run. If you do intend to leave them for long periods before drying, then separate the load and put those items that may cause colour run aside.
Tangling.	Loads not separated during loading.	Try separating out larger items from smaller items.
	Items loaded into the dryer incorrectly.	Load items individually into the dryer. Do not place folded items in the dryer.
	Load size too large.	Try drying smaller load sizes. Some cycles have a lower maximum load size. Refer to pages 13 and 14.
	Sheets and duvet covers due to their size, are prone to tangling.	Dry sheets and duvet/doona covers separately from other laundry. Ensure duvet/doona covers are buttoned or fastened closed before drying.

TROUBLESHOOTING

PROBLEM	POSSIBLE CAUSES	WHAT TO DO
Linting.	Lint filter not cleaned or replaced.	Ensure the lint filter is cleaned after every cycle and replaced correctly. Refer to pages 16 and 17.
	Loads not sorted correctly.	Dry lint givers separately from lint receivers. Dry similar colours together eg light coloured items with light coloured items, dark items with dark items. Refer to page 14.
	Clothes over dried.	Over drying clothes in the dryer can cause them to attract lint. Use an auto sensing cycle or ensure you check your load if using the time dry cycles to avoid over drying. Refer to page 14.
	New items have been dried in the dryer recently. New towels or flannelette sheets can leave lint in the dryer, which may be picked up by subsequent loads.	Clean the lint filter and use 'No heat' cycle to clear any remaining lint from the dryer.
Fabric damage.	Catching on metal part on items in the load.	Fasten zips and other clasps before placing items in the dryer.
	Items not separated or dried on an appropriate cycle for the fabric type.	Dry similar items together. Ensure an appropriate cycle is selected. Refer to pages 13, 14 and 15.
	Cycle or 'Temperature' selected not appropriate for the fabric type.	Ensure the Cycle or 'Temperature' selected is appropriate for the fabric type. Refer to the items care label. Refer to pages 14 and 15.
	Used a 'Time Dry' cycle and did not monitor the dryness of clothes during the cycle.	Ensure that clothes are checked for dryness during the cycle when using the timed programmes to avoid over drying. Refer to pages 13 and 15.
	Instructions on care label not followed.	Follow the instructions on the care label of the items.

Haier

0180500689
2016.07