

HRF523XHG - Black

# 523L 300 Series Side-by-Side Refrigerator Freezer



Height

1775mm

Width

905mm

Depth

647mm

Weight (Packaged)

93kg

Weight (Product)

84kg

## OVERVIEW

The Haier 523L 300 Series Side-by-Side Refrigerator Freezer combines generous freezer space with flexible installation. A non plumbed water dispenser, frost free operation, and practical internal storage support everyday use.

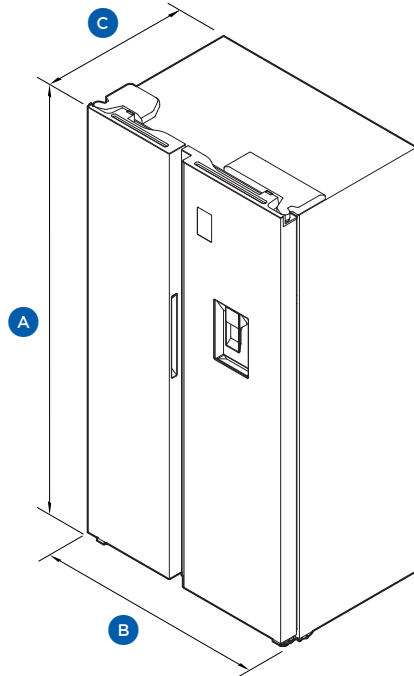
## FEATURES

- Side-by-side refrigerator freezer configuration
- Total usable capacity of 523L
- Approximate 60:40 fridge to freezer capacity split
- Full height freezer compartment for bulk frozen storage
- SuperFreeze™ freezer function and SuperCool refrigerator function
- Non plumbed through door water dispenser with 3.5L internal tank
- Multi-Zone Air system for even cooling distribution
- Frost free freezer operation to reduce maintenance
- Internal shelving, drawers, and egg tray for everyday organisation
- Energy efficient LED lighting makes it easy to see across shelves

The models shown in this Specification Guide (SG) may not be available in all markets and are subject to change at any time. Product specifications may vary from those shown. This SG should not be used as installation guidance for any product. Further information is required to safely and correctly install the products featured here. Specific installation guidance will be available with the product on delivery and on our website [haier.com](http://haier.com)

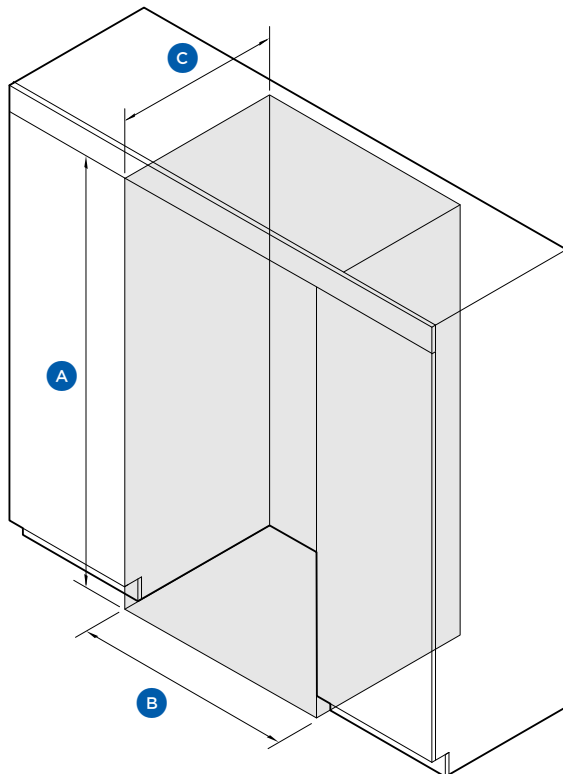
# Product Overview

## PRODUCT DIMENSIONS



	mm
<b>A</b> Overall height	1775
<b>B</b> Overall width (doors closed)	905
Overall width (doors open)	1588
<b>C</b> Overall depth (doors closed)	647
Overall depth (doors open)	1103

## CAVITY DIMENSIONS



	mm
<b>A</b> Minimum height of cavity	1825
<b>B</b> Minimum width of cavity	1005
<b>C</b> Minimum depth of cavity	600

## SERVICES

- Supply 220-240 V, 50 Hz
- Service 10 A
- Connection Plug with flex cord