

The Haier logo is displayed in white text on a dark grey rectangular background in the top right corner of the page.

Haier

Oven, 60cm, 4 Function

HWO60S4LMB3

CONTENTS

Safety and warnings	5
First use	10
Cooking functions	12
Care and cleaning	13
Cleaning the oven door	15
Manufacturer's Warranty	16
Customer service	18

⚠ WARNING!



Electric Shock Hazard

Failure to follow this advice may result in electric shock or death.

- Do not cook on a broken or cracked cooktop. If the cooktop surface should break or crack, switch the appliance off immediately at the mains power supply (wall switch) and contact a qualified technician.
- Switch the appliance off before cleaning or maintenance.

⚠ WARNING!



Fire Hazard

Failure to follow this advice may result in serious burns or death.

- Unattended cooking on a hob with fat or oil can be dangerous and may result in fire.
- Cover flame, eg with a lid or fire blanket, or use dry chemical or foam-type extinguisher.
- Do not store items on cooking surfaces.

⚠ WARNING!



Cut Hazard

Failure to follow this advice could result in injury and cuts.

- The razor sharp blade of a cooktop scraper is exposed when the safety cover is retracted. Use with extreme care and always store safely and out of the reach of children.

⚠ WARNING!



Hot Surface Hazard

Failure to follow this advice could result in burns and scalds.

- Do not touch surface units or areas near units. Surface units maybe hot even though they are dark in colour.
- Surfaces of the appliance may become hot enough to cause burns.
- During and after use, do not touch or let clothing or other flammable materials contact heating elements until they have had sufficient time to cool.
- Handles of saucepans may be hot to touch. Check saucepan handles do not overhang other cooking zones that are on. Keep handles out of reach of children.
- Never leave metal objects (such as kitchen utensils) or empty pans on the cooktop as they can become very hot quickly.

SAFETY AND WARNINGS

READ AND SAVE THIS GUIDE

Only use the oven for its intended purpose, that is only for the cooking of foods: any other use, for example as a heat source, is considered improper and therefore dangerous. The manufacturer cannot be held responsible for any damage resulting from improper, incorrect or unreasonable usage.

General warnings

- Do not use a steam cleaner for cleaning operations.
- **CAUTION:** in order to avoid a hazard due to inadvertent resetting of the thermal cut-out, this appliance must not be supplied through an external switching device, such as a timer, or connected to a circuit that is regularly switched on and off by the utility.
- During use the appliance become hot. Care should be taken to avoid touching heating elements inside the oven.

Use limitations

- The appliance can be used by children aged from 8 years and above and persons with reduced physical, sensory or mental capabilities or lack of experience and knowledge if they have been given supervision or instruction concerning use of the appliance in a safe way and understand the hazards involved. Children shall not play with the appliance. Cleaning and maintenance shall not be made by children without supervision.
- This appliance is not intended to be used by persons (including children) with reduced physical, sensory or mental capabilities, or lack of experience and knowledge, unless they have been given supervision or instruction concerning use of the appliance by a person responsible for their safety.
- Children should be supervised to ensure that they do not play with the appliance.
- **WARNING:** the appliance and its accessible parts become hot during use. Care should be taken to avoid touching heating elements.
- Children less than 8 years of age shall be kept away unless continuously supervised.
- **WARNING:** Accessible parts may become hot during use. Young children should be kept away.

Installation warnings

- The oven can be located high in a column or under a worktop.
- Before fixing, you must ensure good ventilation in the oven space to allow proper circulation of the fresh air required for cooling and protecting the internal parts. Make the openings specified on the illustrations according to the type of fitting. Always fix the oven to the furniture with screws provided with the appliance.
- No additional operation/setting is required in order to operate the appliance at the rated frequencies.
- The appliance must not be installed behind a decorative door in order to avoid overheating.
- During installation the oven should be disconnected from the mains electricity supply.
- If the assistance of the manufacturer is required to rectify faults arising from incorrect installation, this assistance is not covered by the guarantee. The installation instructions for professionally qualified personnel must be followed.
- Incorrect installation may cause harm or injury to people, animals or belongings. The manufacturer cannot be held responsible for such harm or injury.
- Installation must be carried on by a qualified technician who must know and respect the laws in force in the country of installation and the manufacturer's instruction.
- After unboxing the appliance, always check it is not damaged, in case of issue contact the customer service before installing and do not connect to the power supply.
- Remove the packaging material before operating the appliance.
- During installation do not use the oven door's handle to lift and move the oven.
- The installation furniture and the adjacent ones must with stand temperatures of 95°C.

SAFETY AND WARNINGS

- Do not install the product in open environments exposed to atmospheric agents.
- This appliance is designed to be used at altitude lower than 2000m.
- It is recommended to wear protective gloves during installation to avoid cut injuries.

Electrical warnings

- The socket must be suitable for the load indicated on the tag and must have ground contact connected and in operation. The earth conductor is yellow-green in colour. This operation should be carried out by a suitably qualified professional.
- Connection to the power source can be made by plug or by fixed wiring placing an omnipolar breaker, with contact separation compliant to the requirements for overvoltage category III, between the appliance and the power source that can bear the maximum connected load and that is in line with current legislation.
- In case of incompatibility between the socket and the appliance plug, ask a qualified electrician to substitute the socket with another suitable type. The plug and the socket must be conformed to the current norms of the installation country.
- The yellow-green earth cable should not be interrupted by the breaker. The socket or omnipolar breaker used for the connection should be easily accessible when the appliance is installed.
- If the supply cord is damaged, it must be replaced by the manufacturer, its service agent or similarly qualified persons in order to avoid a hazard. For any repairs, refer only to the Customer Care Department and request the use of original spare parts.
- Disconnect the appliance from the mains electricity supply before carrying out any work or maintenance on it.
- **WARNING:** ensure that the appliance is switched off before replacing the bulb, to avoid the possibility of electric shocks.
- The oven must be switched off before removing the removable parts. After cleaning, reassemble them according the instructions.
- The use of any electrical appliance implies the observance of some fundamental rules:
 - do not pull on the power cable to disconnect the appliance from the power source;
 - do not touch the appliance with wet or damp hands or feet;
 - in general the use of adaptors, multiple sockets and extension cables is not recommended;
 - in case of malfunction and/or poor operation, switch off the appliance and do not tamper with it.
- **NOTE:** as the oven could require maintenance work, it is advisable to keep another wall socket available so that the oven can be connected to this if it is removed from the space in which it is installed.
- Any repair, installation and maintenance not carried out correctly can seriously endanger the user.
- The manufacturing company hereby states that it does not assume any responsibility for direct or indirect damages caused by incorrect installation, maintenance, or repair work. Furthermore, it is not liable for damages caused by the absence or interruption of the grounding system (e.g. electric shock).
- **CAUTION:** in order to avoid a hazard due to inadvertent resetting of the thermal cut-out, this appliance must not be supplied through an external switching device, such as a timer, or connected to a circuit that is regularly switched on and off by the utility.
- The appliance is not designed to be activated by an external timer or separate remote control system.

Use and maintenance

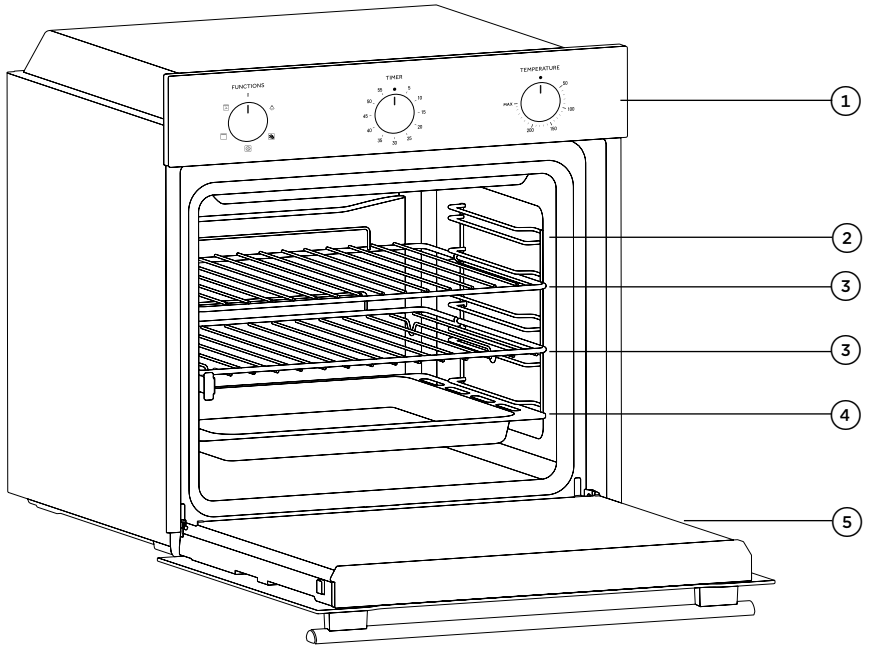
- Wash all accessories before first use with a solution of hot water and washing up liquid.
- The dripping pan collects the residues that drip during cooking.
- When you place the grid or air fry tray on the side racks, make sure that the shorter section of the side (between the stop and the extremity) is directed towards the interior of the oven. If the grid has a decorative metal bar, pay attention to position it on the exterior of the oven so that the brand logo

SAFETY AND WARNINGS

can be visible and readable. For the correct positioning refer also to the image in the Accessories section of this user manual.

- Do not use harsh abrasive cleaners or sharp metal scrapers to clean the oven door glasses, since they can scratch the surface, which may result in shattering of the glass.
- During cooking, moisture may condense inside the oven cavity or on the glass of the door. This is a normal condition. To reduce this effect, wait 10-15 minutes after turning on the power before putting food inside the oven. In any case, the condensation disappears when the oven reaches the cooking temperature.
- Cook the vegetables in a container with a lid instead of an open tray.
- Avoid leaving food inside the oven after cooking for more than 15/20 minutes.
- A long power supply failure during an occurring cooking phase may cause a malfunction of the monitor. In this case contact customer service.
- **WARNING:** Do not line the oven walls with aluminium foil or single-use protection available from stores. Aluminium foil or any other protection, in direct contact with the hot enamel, risk melting and deteriorating the enamel of the insides.
- **WARNING:** Never remove the oven door seal.
- **CAUTION:** Do not refill the cavity bottom with water during cooking or when the oven is hot.
- For a correct use of the oven it is advisable not to put the food in direct contact with the racks and trays, but to use oven papers and/or special containers.
- **WARNING:** Risk of burn and damage to the appliance: Using the steam function the released steam can cause burns: Open the door carefully to avoid injury after using a cooking function with steam.
- Use only drinking water to fill in the cavity bottom during the steam function.

FIRST USE



FEATURES AND ACCESSORIES

1 Oven controls

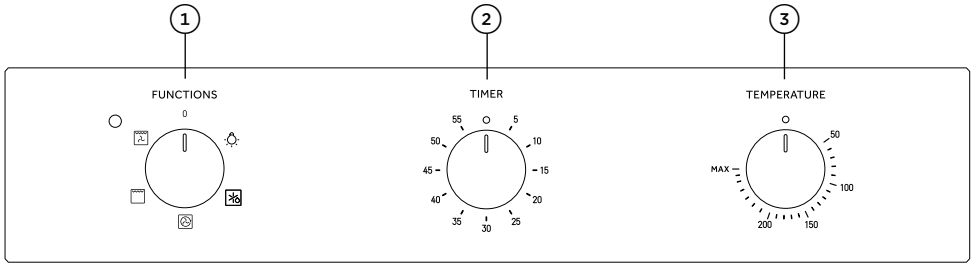
2 Side racks

3 Wire shelves

4 Roasting dish

5 Oven door

FIRST USE

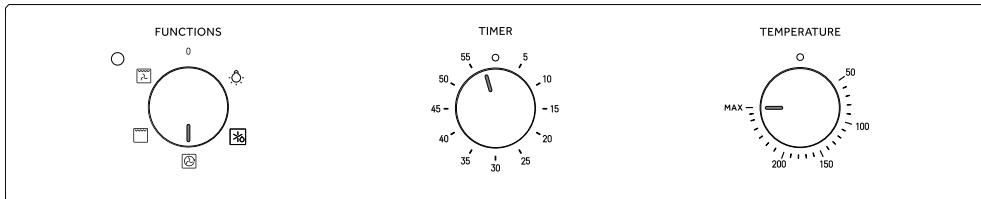


CONTROL PANEL






1	Function selector	Turn to select a function.
2	Timer selector	Turn one complete revolution before setting to the required time. When the time has lapsed, the signal will ring for a few seconds.
3	Temperature selector	Turn to set oven temperature.

Preparing your oven

Before using your oven for the first time, remove and wash all accessories, and clean the inside of the oven with a damp, soft cloth and mild detergent. Wipe the outside with a damp, soft cloth. Dry with a clean cloth. Run the empty oven at maximum temperature for 60 minutes to remove the newness smell. The oven may smoke slightly during this process. This is normal.



COOKING FUNCTIONS

FUNCTION	DESCRIPTION
 LIGHT	Turns on the oven light.
 DEFROST	Fan circulates air at room temperature around the frozen food so that it defrosts.
 FAN FORCED	Uses the rear element in conjunction with the fan. Recommended for most applications, including poultry, pastries, fish and vegetables.
 GRILL	The power level can be adjusted and the oven should be allowed to preheat for 5 minutes. White meats should be put at a distance from the grill to avoid the meat drying out. Place food on the wire shelf with the roasting dish underneath to catch any drips . Turn food 2/3 of the way through cooking if required. Use the grill function with door closed.
 FAN GRILL	The top heating element is used with the fan circulating the air inside the oven. Ideal for cooking large cuts of meat such as roast pork and poultry. Food can be placed on the wire shelf with the roasting dish underneath to catch any drips. Turn food half way through cooking if required. Use the fan grill function with the door closed.

CARE AND CLEANING

The life of your product can be extended through regular cleaning. Wait for the oven to cool before carrying out manual cleaning operations. Never use abrasive detergents, steel wool or sharp objects for cleaning as these may damage enamelled parts. Use only water, soap, or bleach-based detergents (ammonia).

Oven window seal

Clean the seals with a slightly damp sponge. Abrasive detergents should not be used for these parts.

Accessories

Clean accessories with a wet, soapy sponge before rinsing and drying them. Abrasive detergents should not be used for these parts.

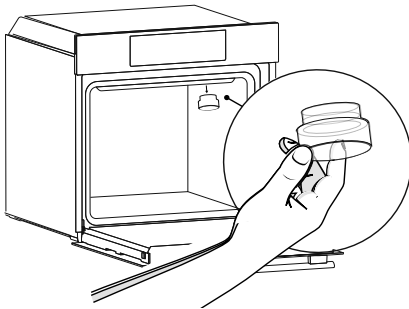
Roasting dish

After using the grill, remove the pan from the oven. Pour the hot fat into a container and wash the pan in hot, soapy water. You can wash this pan in the dishwasher or using commercial oven detergent. Never put a dirty pan back into the oven. In addition to the dish supplied with the oven, we advise you only use dishes and baking moulds resistant to very high temperatures.

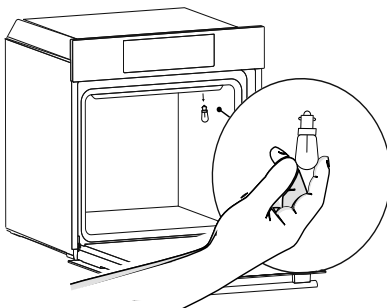
Side racks

The wire racks can be cleaned in the dishwasher or using a wet sponge, ensuring that they are dried afterwards. Remove the wire racks by pulling them away from the oven walls.

Changing the light bulb



1. To remove your light bulb, undo the glass cover, unscrew the bulb and replace it with a new bulb of the same type.

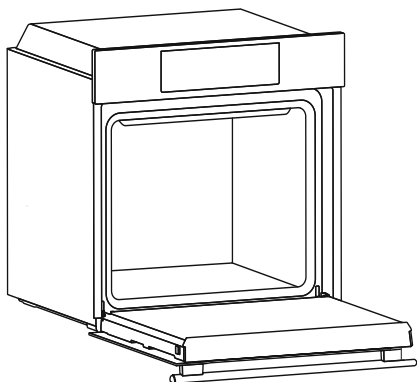


2. Once the bulb is replaced, ensure the glass cover is replaced. Ensure you disconnect the oven from the mains supply before you clean or change your light bulb.

CLEANING THE OVEN DOOR

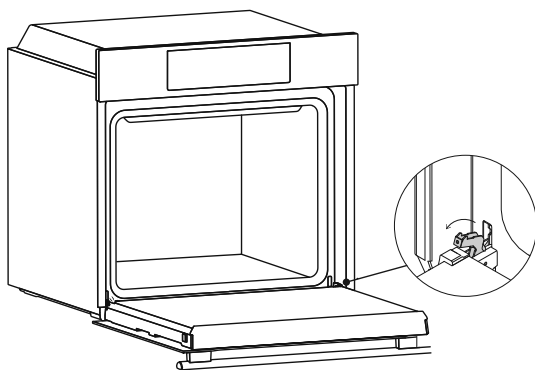
Everyday cleaning

It is advisable to clean the glass window with an absorbent kitchen towel after every use of the oven. To remove more stubborn stains, you can use a detergent-soaked sponge, well wrung out, and then rinse with water.

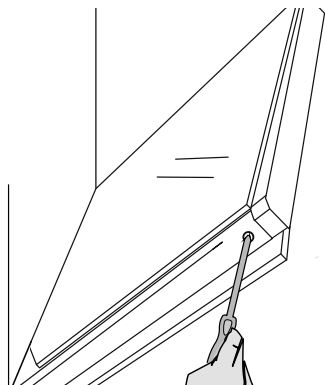


Removal and cleaning of the door glass

1. Open the oven door fully.

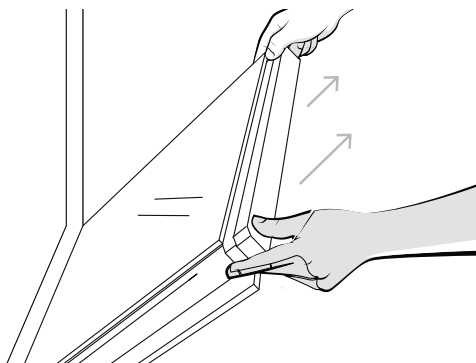


2. Rotate the hinge locks outwards. You may wish to use a screwdriver to grip the hinge.



3. Remove the screws at each side of the door.

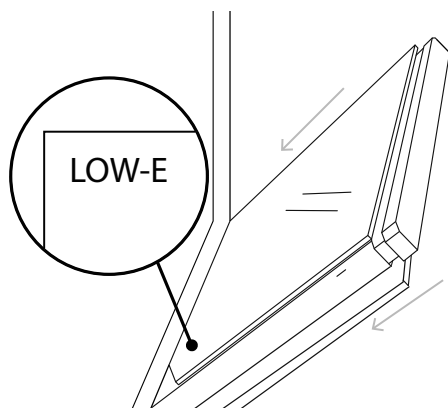
CLEANING THE OVEN DOOR



4. Remove the upper metal cover by pulling it upwards.

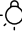


5. Carefully remove the glass from the oven door. Wipe clean with a soft, damp cloth and mild detergent.



6. Once clean, carefully refit the glass and ensure the 'LOW-E' label is on the left side of the door, close to the hinge. The label will be inside the door.

TROUBLESHOOTING

PROBLEM	POSSIBLE CAUSES	WHAT TO DO
The oven does not work	No power.	Check that the mains power supply (wall switch) is turned on, the fuse has not tripped and there is no power outage in your area.
The lights do not operate when I open the oven door	The lights are turned off. The oven lights have blown.	Turn function selector to  to turn the lights on. Replace the lights. See 'Changing the light bulb'
The oven is not heating	The door is not fully closed. The door has been opened too often during cooking.	Make sure the door is properly closed. The heating elements are disabled while the door is open. Avoid opening the door too often during cooking.
A glass pane in the door has cracked, chipped or shattered	The glass has been knocked or cleaned incorrectly.	You must NOT use the oven. Call your Authorised Repairer or Customer Service.
Hot air is coming out of the vents when the oven is off	The cooling fan is running.	This is normal. You do not need to do anything.

MANUFACTURER'S WARRANTY

Please read this warranty card carefully. Attach your purchase receipt to this warranty card and keep in a safe place. You must produce both warranty card and proof of purchase in the event of a warranty repair being required.

When you purchase any new Haier Product you automatically receive a two year Manufacturer's Warranty covering parts and labour for servicing.

The Manufacturer undertakes to:

Repair or, at its option, replace without cost to the owner either for material or labour any part of the Product, the serial number of which appears on the Product, which is found to be defective within TWO YEARS from the date of purchase.

This warranty DOES NOT cover:

- (A) Service calls which are not related to any defect in the Product. The cost of a service call will be charged if the problem is not found to be a Product related fault. For example:
 - ① Correct the installation of the product.
 - ② Provide Instruction on use of the product or change the setup of the product.
 - ③ Replace house fuses or correct house wiring.
 - ④ Correcting fault(s) caused by the user.
 - ⑤ Noise or vibration that is considered normal.
 - ⑥ Water on the floor due to incorrect loading or excessive suds.
 - ⑦ Blocked pumps, removal of foreign objects/substances from the machine, including the pump and inlet house filters.
 - ⑧ Correcting damage caused by pests, eg. rats, cockroaches etc.
 - ⑨ Correct corrosion or discolouration due to chemical attack.
 - ⑩ Power outages or surges.
- (B) Defects caused by factors other than:
 - ① Normal domestic use or
 - ② Use in accordance with the Product's User Guide.
- (C) Defects to the Product caused by accident, neglect, misuse or 'Act of God'.
- (D) The cost of repairs carried out by non-authorized repairers or the cost of correcting such unauthorised repairs.
- (E) Normal recommended maintenance as set out in the Product's User Guide.
- (F) Repairs when the appliance has been dismantled, repaired or serviced by other than an AUTHORISED CUSTOMER SERVICE CENTRE or the selling dealer.
- (G) Pick up and delivery.
- (H) Transportation or travelling costs involved in the repair when the product is installed outside the AUTHORISED CUSTOMER SERVICE CENTRE'S normal service area.

This product has been designed for use in a normal domestic environment. It is not intended for commercial use. Doing so may affect product warranty.

Service under this warranty must be provided by an Authorised Service Repairer (refer to the Customer Care section for contact details). Such service shall be provided during normal business hours. This warranty certificate should be shown when making any claim.

MANUFACTURER'S WARRANTY

Note:

This Warranty is an extra benefit and does not affect your legal rights and applies only to product purchased in New Zealand and Australia. Please keep this Warranty Card in a safe place.

For Australian customers:

Our goods come with guarantees that cannot be excluded under the Australian Consumer Law. You are entitled to a replacement or refund for a major failure and for compensation for any other reasonably foreseeable loss or damage. You are also entitled to have the goods repaired or replaced if the goods fail to be of acceptable quality and the failure does not amount to a major failure.

CUSTOMER SERVICE

If you have a problem with your appliance you can contact:

- Your local dealer.
- Service & Support:

From New Zealand	Online	www.haier.co.nz
	Toll free phone	0800 242 437
	Fax	(09) 273 0656
	Email	customer.care@haier.co.nz
	Postal address	P.O. Box 58732, Botany, Manukau 2163
From Australia	Online	www.haier.com.au
	Toll free phone	1300 729 948
	Fax	(07) 3826 9298
	Email	customer.care@haierlife.com.au
	Postal address	P.O. Box 798, Cleveland QLD 4163

When calling or writing, please provide your name, address, the model number of your appliance, the serial number, the date of purchase and a description of the problem.

Complete and keep for safe reference:

Model _____

Serial No. _____

Purchase Date _____

Purchaser _____

Dealer _____

Suburb _____

Town _____

Country _____

Haier

WWW.HAIER.COM.AU
WWW.HAIER.CO.NZ

条形码尺寸40*8mm, 由厂家生成。

70068161 | 432485A | 08.24